

Cup

ISCUP Cup 100 100x100x30

Part no.: 10.01.15.00403

<https://www.schmalz.com/10.01.15.00403>



Homepage > Vacuum Clamping Technology > Clamping Solutions for Woodworking > Modernization of CNC Machining Centers > Accessories and Spare Parts > ISCUP Cup 100 100x100x30

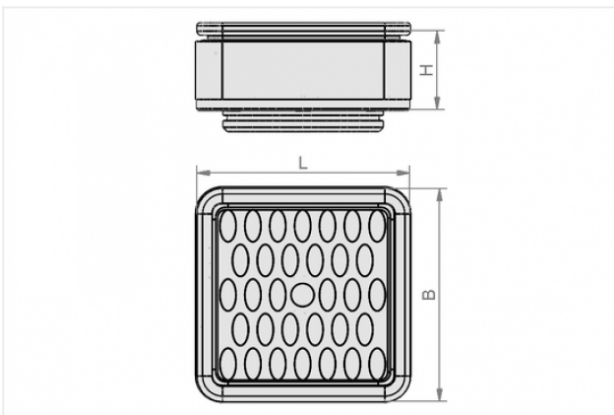
Suction cup for Innospann



Dimensions (LxB): 100 x 100 mm

Height H: 30 mm

Design Data



Attribute	Value
-----------	-------

B	100 mm
---	--------

H	30 mm
---	-------

L	100 mm
---	--------

Technical Data

Attribute	Value
-----------	-------

Weight	0.206 kg
--------	----------

Contact to Schmalz

J. Schmalz GmbH | Johannes-Schmalz-Straße, 72293 Glatten, Deutschland | +49 7443 2403-102 | customercenter@schmalz.de



Contact to Schmalz

J. Schmalz GmbH | Johannes-Schmalz-Straße, 72293 Glatten, Deutschland | +49 7443 2403-102 |
customercenter@schmalz.de