

Steel-Plate

ISST 1000x1000x3

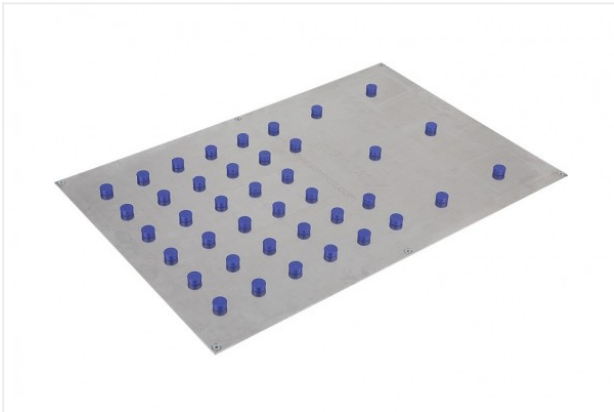
<https://www.schmalz.com/10.01.14.99998>



Part no.: 10.01.14.99998

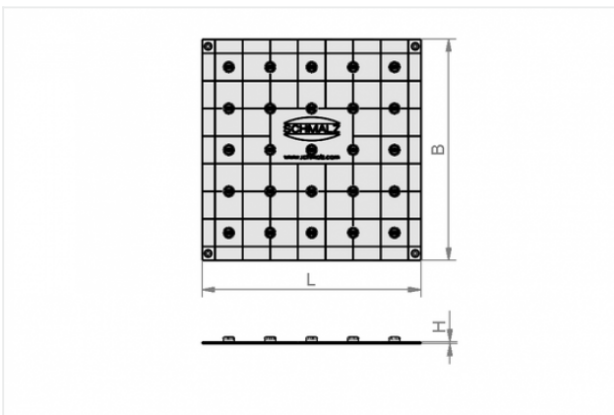
Homepage > Vacuum Clamping Technology > Clamping Solutions for Woodworking > Modernization of CNC Machining Centers > Innospann Steel-Plate > ISST 1000x1000x3

Steelplate for clamping tables with laser-cut grid



Length L: 1000 mm
Width B: 1000 mm
Height H: 3 mm

Design Data



Attribute	Value
-----------	-------

B	1000 mm
---	---------

H	3 mm
---	------

L	1000 mm
---	---------

Technical Data

Attribute	Value
-----------	-------

Weight	23.5 kg
--------	---------

Contact to Schmalz

J. Schmalz GmbH | Johannes-Schmalz-Straße, 72293 Glatten, Deutschland | +49 7443 2403-102 | customercenter@schmalz.de

Accessories



ISMST 19-7 4ISMST

Part no. 10.01.14.00847

Magnetic sealing plug for clamping system Innospann

Head diameter Dk: 19 mm

External diameter D: 7 mm

contains: 4 Magnetic sealing plug



ISQB 175x175x22

Part no. 10.01.15.00001

Quadbase for Steelplate and Adapterplate

Basic area: 175 x 175 mm

Height H: 22 mm



ISCUP Cup 1 80x80x30

Part no. 10.01.15.00003

Suction cup for Innospann

Dimensions (LxB): 80 x 80 mm

Height H: 30 mm



ISCUP Cup 2 80x40x30

Part no. 10.01.15.00004

Suction cup for Innospann

Dimensions (LxB): 80 x 40 mm

Height H: 30 mm



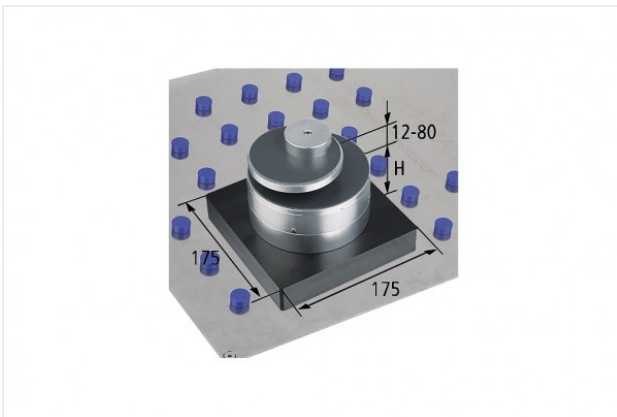
ISCUP Cup 3 80x28x30

Part no. 10.01.15.00005

Suction cup for Innospann

Dimensions (LxB): 80 x 28 mm

Height H: 30 mm



ISMC-S 175x175x52 12-80

Part no. 10.01.15.00270

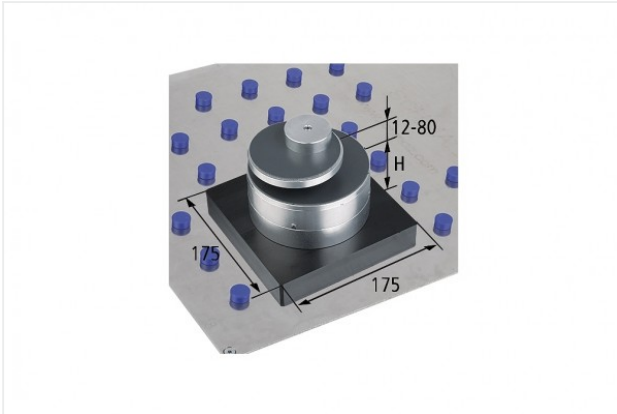
Mechanical clamp for narrow and frame parts, for Steel-Plate

Basic area: 175 x 175 mm mm

Height H: 52 mm

Stroke Z: 10 mm

Clamping range: 12.0 ... 80.0 mm



ISMC-S 175x175x72 12-80

Part no. 10.01.15.00140

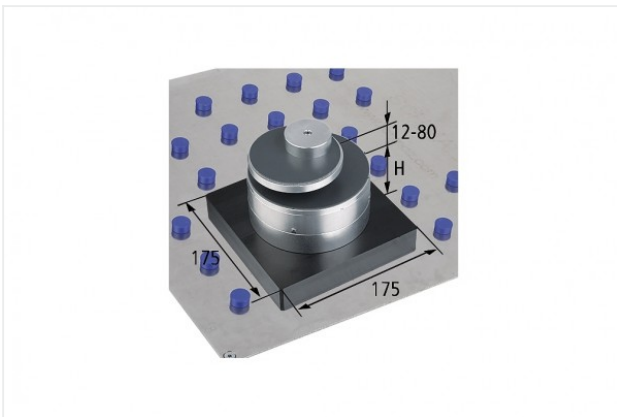
Mechanical clamp for narrow and frame parts, for Steel-Plate

Basic area: 175 x 175 mm mm

Height H: 72 mm

Stroke Z: 10 mm

Clamping range: 12.0 ... 80.0 mm



ISMC-S 175x175x97 12-80

Part no. 10.01.15.00254

Mechanical clamp for narrow and frame parts, for Steel-Plate

Basic area: 175 x 175 mm mm

Height H: 97 mm

Stroke Z: 10 mm

Clamping range: 12.0 ... 80.0 mm