

Monobase ISMB 80x80x67

Part no.: 10.01.15.00079

<https://www.schmalz.com/10.01.15.00079>



Homepage > Vacuum Clamping Technology > Clamping Solutions for Woodworking > Modernization of CNC Machining Centers > Innospann Steel-Plate > ISMB 80x80x67

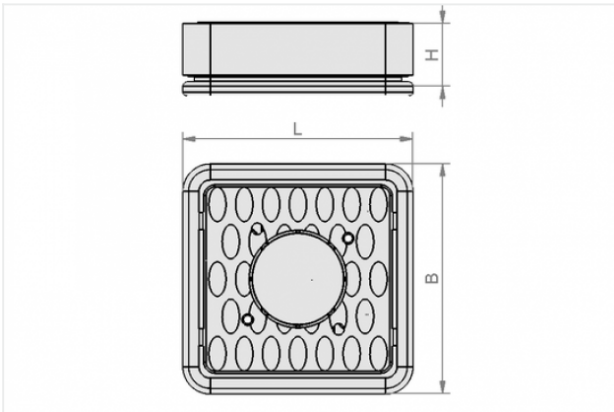
Monobase for Steelplate and Adapterplate



Basic area: 80 x 80 mm

Height H: 67 mm

Design Data



Attribute	Value
-----------	-------

B	80 mm
---	-------

H	67 mm
---	-------

L	80 mm
---	-------

Technical Data

Attribute	Value
-----------	-------

Weight	0.352 kg
--------	----------

Contact to Schmalz

J. Schmalz GmbH | Johannes-Schmalz-Straße, 72293 Glatten, Deutschland | +49 7443 2403-102 | customercenter@schmalz.de

Accessories



ISZR-M 80x37

Part no. 10.01.15.00072

Spacer ring, Innospann - Union -

External diameter D: 80 mm

Height H: 37 mm



ISCUP Cup 1 80x80x30

Part no. 10.01.15.00003

Suction cup for Innospann

Dimensions (LxB): 80 x 80 mm

Height H: 30 mm



ISCUP Cup 2 80x40x30

Part no. 10.01.15.00004

Suction cup for Innospann

Dimensions (LxB): 80 x 40 mm

Height H: 30 mm



ISCUP Cup 3 80x28x30

Part no. 10.01.15.00005

Suction cup for Innospann

Dimensions (LxB): 80 x 28 mm

Height H: 30 mm