

Mini-Plate

ISMP-R 212x212x8 30x30
7x7

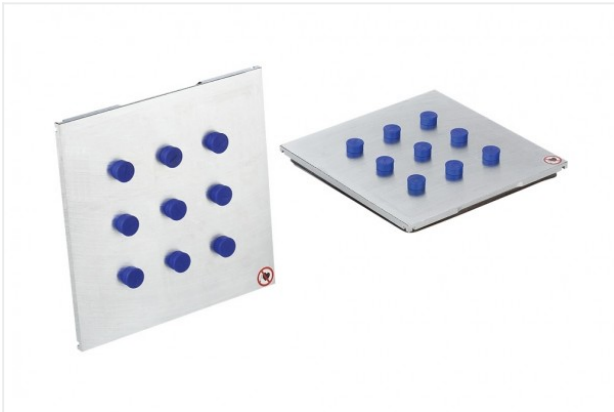
Part no.: 10.01.14.00014

<https://www.schmalz.com/10.01.14.00014>



Homepage > Vacuum Clamping Technology > Clamping Solutions for Woodworking > Grid Table Systems > Innospann Vacuum Blocks for Grid
Tables > ISMP-R 212x212x8 30x30 7x7

Mini-Plate for grid tables



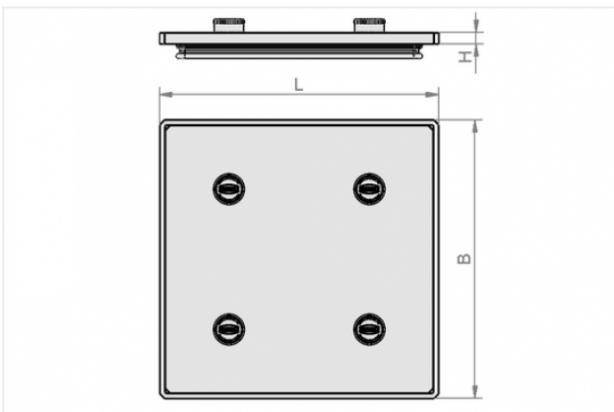
Basic area: 212 x 212 mm

Height: 8 mm

grid: 30 x 30 mm

for slot: 7 x 7 mm

Design Data



Attribute	Value
-----------	-------

B	212 mm
---	--------

H	8 mm
---	------

L	212 mm
---	--------

Technical Data

Attribute	Value
-----------	-------

grid	30 x 30 mm mm
------	---------------

Contact to Schmalz

J. Schmalz GmbH | Johannes-Schmalz-Straße, 72293 Glatten, Deutschland | +49 7443 2403-102 |
customercenter@schmalz.de

Accessories



ISMST 19-7 4ISMST

Part no. 10.01.14.00847

Magnetic sealing plug for clamping system Innospann

Head diameter Dk: 19 mm

External diameter D: 7 mm

contains: 4 Magnetic sealing plug



ISMB 80x80x22

Part no. 10.01.15.00009

Monobase for Steelplate and Adapterplate

Basic area: 80 x 80 mm

Height H: 22 mm



ISQB 175x175x22

Part no. 10.01.15.00001

Quadbase for Steelplate and Adapterplate

Basic area: 175 x 175 mm

Height H: 22 mm



ISCUP Cup 1 80x80x30

Part no. 10.01.15.00003

Suction cup for Innospann

Dimensions (LxB): 80 x 80 mm

Height H: 30 mm



ISCUP Cup 2 80x40x30

Part no. 10.01.15.00004

Suction cup for Innospann

Dimensions (LxB): 80 x 40 mm

Height H: 30 mm



ISCUP Cup 3 80x28x30

Part no. 10.01.15.00005

Suction cup for Innospann

Dimensions (LxB): 80 x 28 mm

Height H: 30 mm