

Quadbase

ISQB 175x175x22

Part no.: 10.01.15.00001

<https://www.schmalz.com/10.01.15.00001>



Homepage > Vacuum Clamping Technology > Clamping Solutions for Woodworking > Modernization of CNC Machining Centers > Innospann Steel-Plate > ISQB 175x175x22

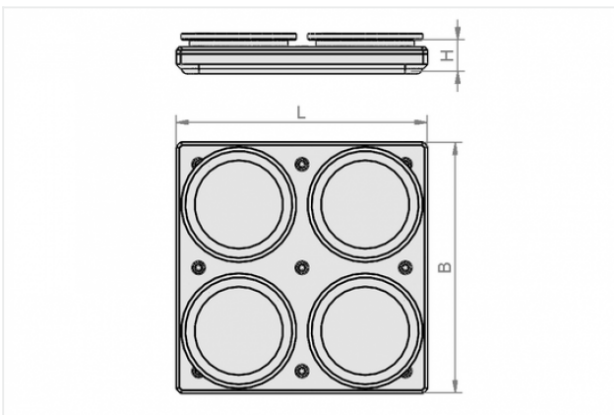
Quadbase for Steelplate and Adapterplate



Basic area: 175 x 175 mm

Height H: 22 mm

Design Data



Attribute	Value
-----------	-------

B	175 mm
---	--------

H	22 mm
---	-------

L	175 mm
---	--------

Technical Data

Attribute	Value
-----------	-------

Weight	1.017 kg
--------	----------

Contact to Schmalz

J. Schmalz GmbH | Johannes-Schmalz-Straße, 72293 Glatten, Deutschland | +49 7443 2403-102 | customercenter@schmalz.de

Spare Parts



DI-SCHN 8 MOS EPDM-20

Part no. 10.07.04.00002

Sealing cord

External diameter D: 8 mm

Material-Type: Foam rubber

Sealing material: EPDM

Material hardness: 20 °Sh

Accessories



ISZR-V 80x20

Part no. 10.01.15.00053

Spacer ring, Innospann - Extension -

External diameter D: 80 mm

Height H: 20 mm



ISZR-V 80x45

Part no. 10.01.15.00054

Spacer ring, Innospann - Extension -

External diameter D: 80 mm

Height H: 45 mm



ISZR-V 80x15

Part no. 10.01.15.00052

Spacer ring, Innospann - Extension -

External diameter D: 80 mm

Height H: 15 mm



ISZR-V 80x40

Part no. 10.01.15.00073

Spacer ring, Innospann - Extension -

External diameter D: 80 mm

Height H: 40 mm



ISCUP Cup 1 80x80x30

Part no. 10.01.15.00003

Suction cup for Innospann

Dimensions (LxB): 80 x 80 mm

Height H: 30 mm



ISCUP Cup 2 80x40x30

Part no. 10.01.15.00004

Suction cup for Innospann

Dimensions (LxB): 80 x 40 mm

Height H: 30 mm



ISCUP Cup 3 80x28x30

Part no. 10.01.15.00005

Suction cup for Innospann

Dimensions (LxB): 80 x 28 mm

Height H: 30 mm



ABDK 80x4 ISQB

Part no. 10.01.15.00083

Cover

External diameter: 80 mm

Height: 4 mm

for: Quadbase ISQB