

## Mini-Plate

ISMP-R 212x212x8 40/50  
7x7

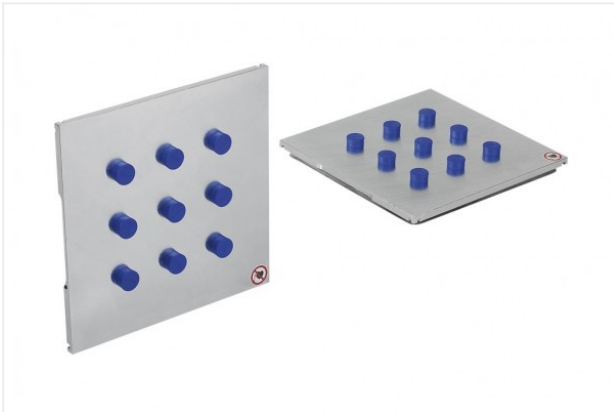
Part no.: 10.01.14.00004

<https://www.schmalz.com/10.01.14.00004>



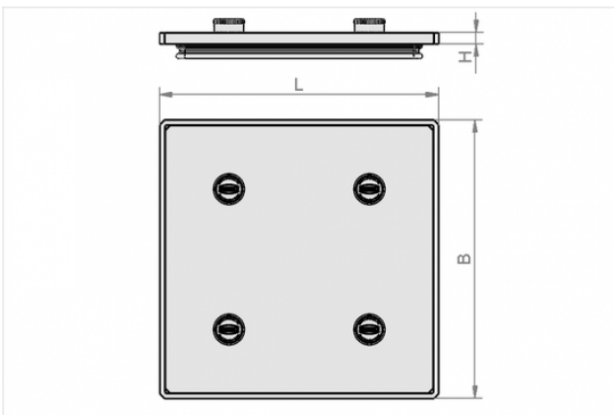
Homepage > Vacuum Clamping Technology > Clamping Solutions for Woodworking > Grid Table Systems > Innospann Vacuum Blocks for Grid  
Tables > ISMP-R 212x212x8 40/50 7x7

### Mini-Plate for grid tables



Basic area: 212 x 212 mm  
Height H: 8 mm  
grid: 40x40 mm / 50x50 mm  
for slot: 7 x 7 mm

### Design Data



Attribute	Value
-----------	-------

B	212 mm
---	--------

H	8 mm
---	------

L	212 mm
---	--------

### Technical Data

Attribute	Value
-----------	-------

grid	40x40 mm / 50x50 mm mm
------	------------------------

### Contact to Schmalz

J. Schmalz GmbH | Johannes-Schmalz-Straße, 72293 Glatten, Deutschland | +49 7443 2403-102 |  
customercenter@schmalz.de

## Accessories



### **ISMST 19-7 4ISMST**

Part no. 10.01.14.00847

Magnetic sealing plug for clamping system Innospann

Head diameter Dk: 19 mm

External diameter D: 7 mm

contains: 4 Magnetic sealing plug



### **ISCUP Cup 1 80x80x30**

Part no. 10.01.15.00003

Suction cup for Innospann

Dimensions (LxB): 80 x 80 mm

Height H: 30 mm



### **ISCUP Cup 3 80x28x30**

Part no. 10.01.15.00005

Suction cup for Innospann

Dimensions (LxB): 80 x 28 mm

Height H: 30 mm



**ISCUP Cup 2 80x40x30**

Part no. 10.01.15.00004

Suction cup for Innospann

Dimensions (LxB): 80 x 40 mm

Height H: 30 mm



**ISMB 80x80x22**

Part no. 10.01.15.00009

Monobase for Steelplate and Adapterplate

Basic area: 80 x 80 mm

Height H: 22 mm



**ISQB 175x175x22**

Part no. 10.01.15.00001

Quadbase for Steelplate and Adapterplate

Basic area: 175 x 175 mm

Height H: 22 mm