

Mini-Plate

ISMP-R 175x175x7 30/50
5/7

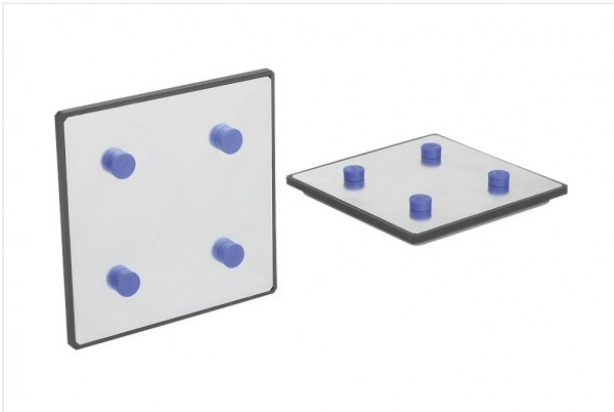
Part no.: 10.01.15.00184

<https://www.schmalz.com/10.01.15.00184>



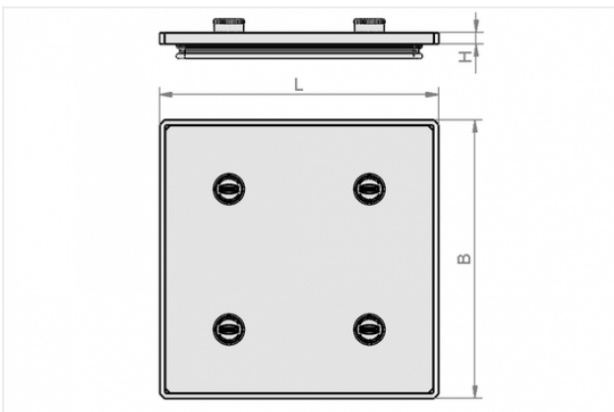
Homepage > Vacuum Clamping Technology > Clamping Solutions for Woodworking > Grid Table Systems > Innospann Vacuum Blocks for Grid
Tables > ISMP-R 175x175x7 30/50 5/7

Mini-Plate for grid tables



Basic area: 175 x 175 mm
Height: 7 mm
grid: 30x30 mm / 50x50 mm
for slot: 5x5 mm / 7x7 mm

Design Data



Attribute	Value
-----------	-------

B	175 mm
---	--------

H	7 mm
---	------

L	175 mm
---	--------

Technical Data

Attribute	Value
-----------	-------

grid	30x30 mm / 50x50 mm mm
------	------------------------

Contact to Schmalz

J. Schmalz GmbH | Johannes-Schmalz-Straße, 72293 Glatten, Deutschland | +49 7443 2403-102 |
customercenter@schmalz.de

Accessories



ISMB 80x80x8

Part no. 10.01.15.00188

Monobase for Steelplate and Adapterplate

Basic area: 80 x 80 mm

Height: 8 mm



ISCUP Cup 1 80x80x30

Part no. 10.01.15.00003

Suction cup for Innospann

Dimensions (LxB): 80 x 80 mm

Height H: 30 mm



ISCUP Cup 2 80x40x30

Part no. 10.01.15.00004

Suction cup for Innospann

Dimensions (LxB): 80 x 40 mm

Height H: 30 mm



ISCUP Cup 3 80x28x30

Part no. 10.01.15.00005

Suction cup for Innospann

Dimensions (LxB): 80 x 28 mm

Height H: 30 mm



ISMST 19-7 4ISMST

Part no. 10.01.14.00847

Magnetic sealing plug for clamping system Innospann

Head diameter Dk: 19 mm

External diameter D: 7 mm

contains: 4 Magnetic sealing plug