

Quadbase

ISQB-R 175x175x15 30/50
6/7

Part no.: 10.01.15.00183

<https://www.schmalz.com/10.01.15.00183>



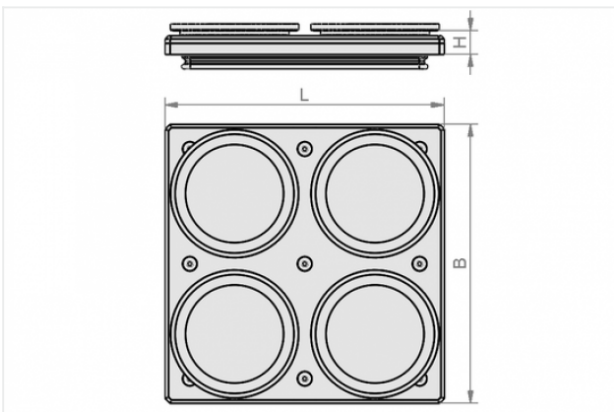
Homepage > Vacuum Clamping Technology > Clamping Solutions for Woodworking > Grid Table Systems > Innospann Vacuum Blocks for Grid Tables > ISQB-R 175x175x15 30/50 6/7

Quadbase for grid tables



Basic area: 175 x 175 mm
Height: 15 mm
grid: 30x30 mm / 50x50 mm
for slot: 6x6 mm / 7x7 mm

Design Data



Attribute	Value
-----------	-------

B	175 mm
---	--------

H	15 mm
---	-------

L	175 mm
---	--------

Accessories

Contact to Schmalz

J. Schmalz GmbH | Johannes-Schmalz-Straße, 72293 Glatten, Deutschland | +49 7443 2403-102 | customercenter@schmalz.de



ISCUP Cup 1 80x80x30

Part no. 10.01.15.00003

Suction cup for Innospann

Dimensions (LxB): 80 x 80 mm

Height H: 30 mm



ISCUP Cup 2 80x40x30

Part no. 10.01.15.00004

Suction cup for Innospann

Dimensions (LxB): 80 x 40 mm

Height H: 30 mm



ISCUP Cup 3 80x28x30

Part no. 10.01.15.00005

Suction cup for Innospann

Dimensions (LxB): 80 x 28 mm

Height H: 30 mm