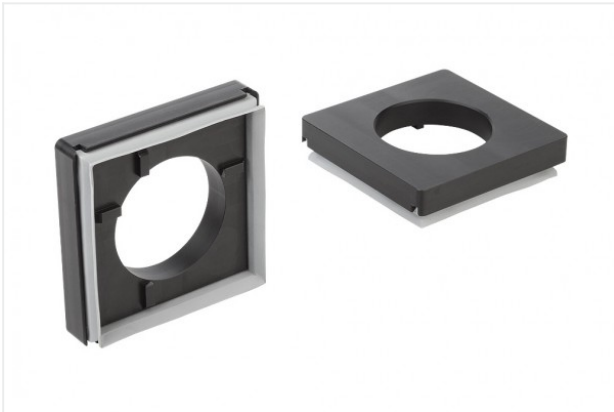


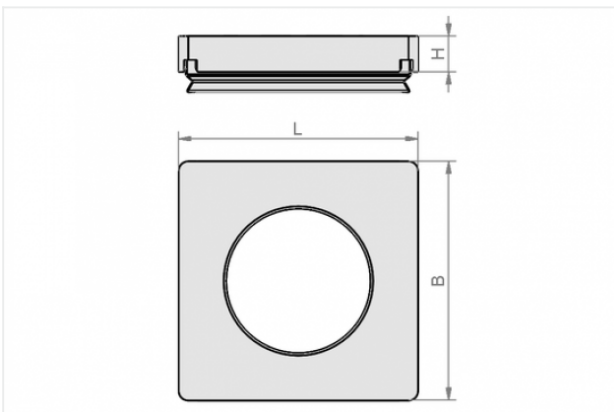
Homepage > Vacuum Clamping Technology > Clamping Solutions for Woodworking > Grid Table Systems > Innospann Vacuum Blocks for Grid Tables > ISMB-R 96x96x15 15/30 5/7

Monobase for grid tables



Basic area: 96 x 96 mm
Height H: 15 mm
grid: 15x15 mm / 30x30 mm
for slot: 5x5 mm / 7x7 mm

Design Data



Attribute	Value
-----------	-------

B	96 mm
---	-------

H	15 mm
---	-------

L	96 mm
---	-------

Technical Data

Attribute	Value
-----------	-------

grid	15x15 mm / 30x30 mm mm
------	------------------------

Contact to Schmalz

Accessories



IS CUP Cup 1 80x80x30

Part no. 10.01.15.00003

Suction cup for Innospann

Dimensions (LxB): 80 x 80 mm

Height H: 30 mm



IS CUP Cup 2 80x40x30

Part no. 10.01.15.00004

Suction cup for Innospann

Dimensions (LxB): 80 x 40 mm

Height H: 30 mm



IS CUP Cup 3 80x28x30

Part no. 10.01.15.00005

Suction cup for Innospann

Dimensions (LxB): 80 x 28 mm

Height H: 30 mm