

Monobase

ISMB-R 110x110x15 50x50 5/7

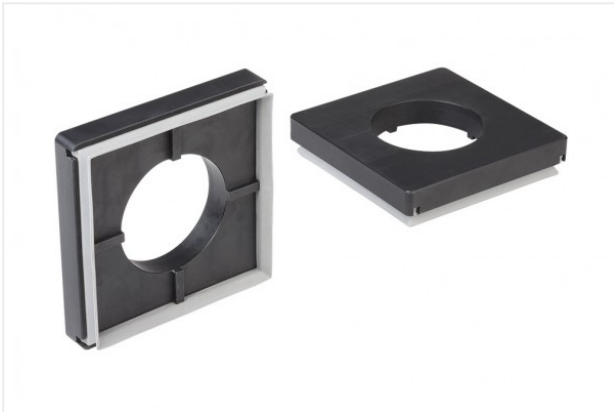
Part no.: 10.01.15.00372

<https://www.schmalz.com/10.01.15.00372>



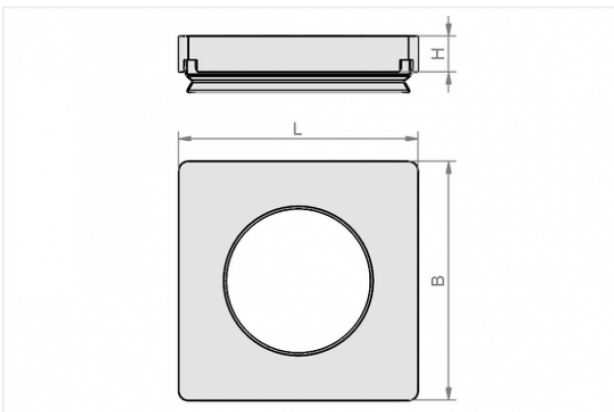
Homepage > Vacuum Clamping Technology > Clamping Solutions for Woodworking > Grid Table Systems > Innospann Vacuum Blocks for Grid Tables > ISMB-R 110x110x15 50x50 5/7

Monobase for grid tables



Basic area: 110 x 110 mm
Height H: 15 mm
grid: 50 x 50 mm
for slot: 5x5 mm / 7x7 mm

Design Data



Attribute	Value
-----------	-------

B	110 mm
---	--------

H	15 mm
---	-------

L	110 mm
---	--------

Technical Data

Attribute	Value
-----------	-------

grid	50 x 50 mm mm
------	---------------

Contact to Schmalz

J. Schmalz GmbH | Johannes-Schmalz-Straße, 72293 Glatten, Deutschland | +49 7443 2403-102 | customercenter@schmalz.de

Accessories



IS-CUP Cup 1 80x80x30

Part no. 10.01.15.00003

Suction cup for Innospann

Dimensions (LxB): 80 x 80 mm

Height H: 30 mm



IS-CUP Cup 2 80x40x30

Part no. 10.01.15.00004

Suction cup for Innospann

Dimensions (LxB): 80 x 40 mm

Height H: 30 mm



IS-CUP Cup 3 80x28x30

Part no. 10.01.15.00005

Suction cup for Innospann

Dimensions (LxB): 80 x 28 mm

Height H: 30 mm