

Spacer ring, Innospann <https://www.schmalz.com/10.01.15.00052>

ISZR-V 80x15

Part no.: 10.01.15.00052



Homepage > Vacuum Clamping Technology > Clamping Solutions for Woodworking > Modernization of CNC Machining Centers > Accessories and Spare Parts > ISZR-V 80x15

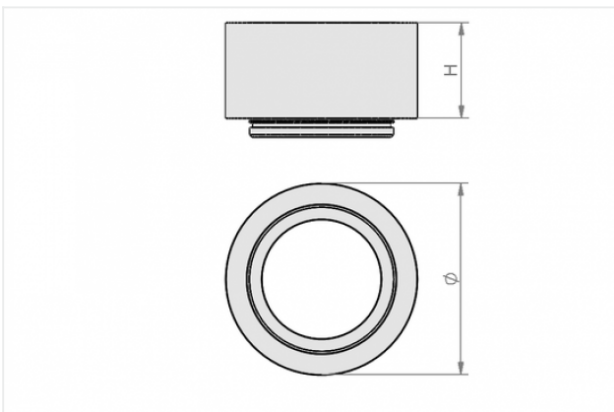
Spacer ring, Innospann - Extension -



External diameter D: 80 mm

Height H: 15 mm

Design Data



| Attribute | Value |
|-----------|-------|
|-----------|-------|

| | |
|---|-------|
| D | 80 mm |
|---|-------|

| | |
|---|-------|
| H | 15 mm |
|---|-------|

Contact to Schmalz

J. Schmalz GmbH | Johannes-Schmalz-Straße, 72293 Glatten, Deutschland | +49 7443 2403-102 | customercenter@schmalz.de