

# Vacuum block

## VCBL-S1 130x30x32.7 TV

Part no.: 10.01.12.02320

<https://www.schmalz.com/10.01.12.02320>



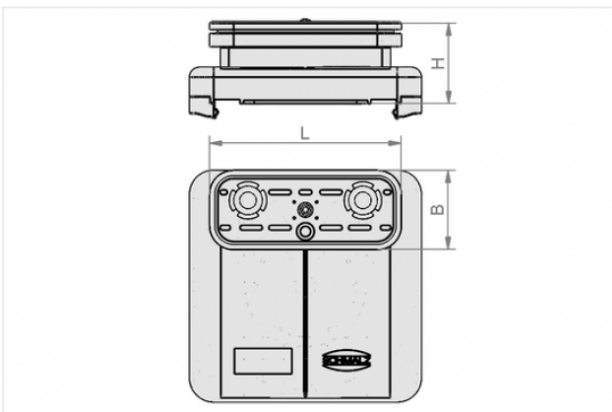
Homepage > Vacuum Clamping Technology > Clamping Solutions for Woodworking > Console Table Systems > Clamping Equipment for SCM / Morbidelli Consoles > VCBL-S1 130x30x32.7 TV

## Vacuum block for SCM/Morbidelli console - Type 1



Dimensions (LxB): 130 x 30 mm  
Height H: 32.7 mm  
with: Sensing valve

### Design Data



Attribute	Value
-----------	-------

B	30 mm
---	-------

H	32.7 mm
---	---------

L	130 mm
---	--------

### Technical Data

Attribute	Value
-----------	-------

Weight	0.276 kg
--------	----------

SCM / Morbidelli is a registered and protected trademark. The articles listed here are products of J. Schmalz GmbH that have been designed to fit CNC machining centers from SCM / Morbidelli.

### Contact to Schmalz

J. Schmalz GmbH | Johannes-Schmalz-Straße, 72293 Glatten, Deutschland | +49 7443 2403-102 | [customercenter@schmalz.de](mailto:customercenter@schmalz.de)



---

---

[Contact to Schmalz](#)

J. Schmalz GmbH | Johannes-Schmalz-Straße, 72293 Glatten, Deutschland | +49 7443 2403-102 |  
customercenter@schmalz.de