

Cup

ISCUP Cup 3 80x28x16

Part no.: 10.01.15.00211

<https://www.schmalz.com/10.01.15.00211>



Homepage > Vacuum Clamping Technology > Clamping Solutions for Woodworking > Modernization of CNC Machining Centers > Innospann Steel-Plate > ISCUP Cup 3 80x28x16

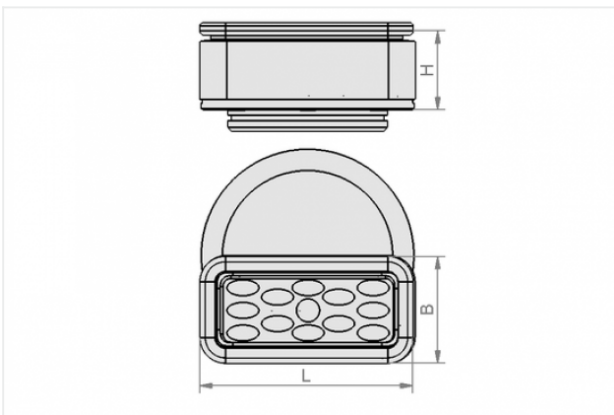
Suction cup for Innospann



Dimensions (LxB): 80 x 28 mm

Height H: 16 mm

Design Data



Attribute	Value
-----------	-------

B	28 mm
---	-------

H	16 mm
---	-------

L	80 mm
---	-------

Technical Data

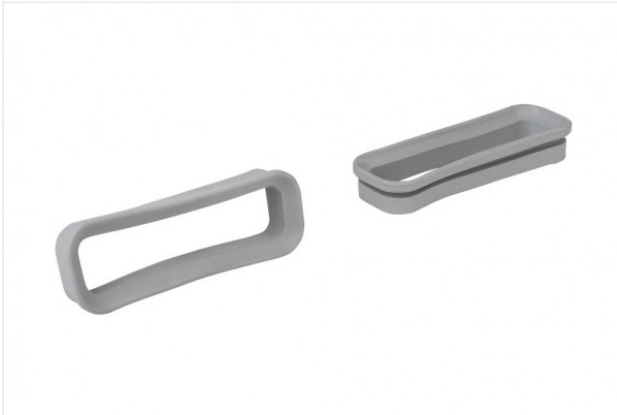
Attribute	Value
-----------	-------

Weight	0.058 kg
--------	----------

Contact to Schmalz

J. Schmalz GmbH | Johannes-Schmalz-Straße, 72293 Glatten, Deutschland | +49 7443 2403-102 | customercenter@schmalz.de

Spare Parts



ISDR 81x31x12 Cup 3

Part no. 10.01.15.00022

Sealing frame

Length L: 81 mm

Width B: 31 mm

Height H: 12 mm

Type: Cup 3



ISRPL 66x14x8.5

Part no. 10.01.15.00019

Friction plate

Length: 66 mm

Width: 14 mm

Height: 8.5 mm

Type: Cup 3