

Sealing frame

ISDR 81x81x12 Cup 1

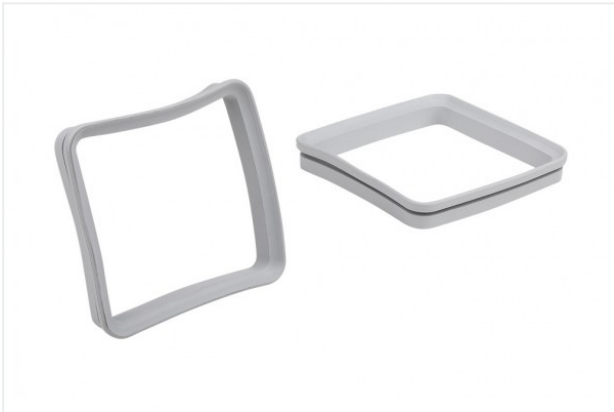
<https://www.schmalz.com/10.01.15.00020>



Part no.: 10.01.15.00020

Homepage > Vacuum Clamping Technology > Clamping Solutions for Woodworking > Modernization of CNC Machining Centers > Accessories and Spare Parts > ISDR 81x81x12 Cup 1

Sealing frame



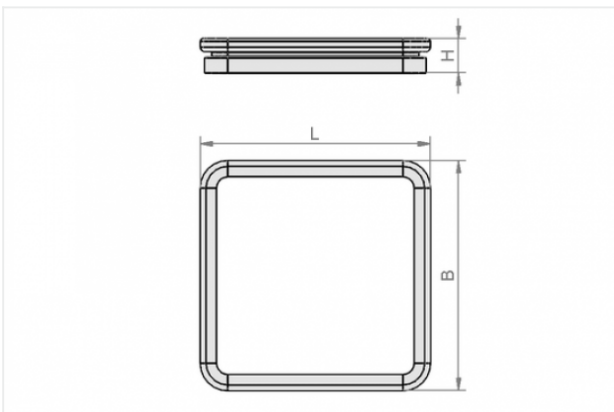
Length L: 81 mm

Width B: 81 mm

Height H: 12 mm

Type: Cup 1

Design Data



Attribute	Value
-----------	-------

B	81 mm
---	-------

H	12 mm
---	-------

L	81 mm
---	-------

Contact to Schmalz

J. Schmalz GmbH | Johannes-Schmalz-Straße, 72293 Glatten, Deutschland | +49 7443 2403-102 | customercenter@schmalz.de