

Training set

TRAIN-SET VT VAC-TRAIN EN

<https://www.schmalz.com/10.02.02.03682>



Part no.: 10.02.02.03682

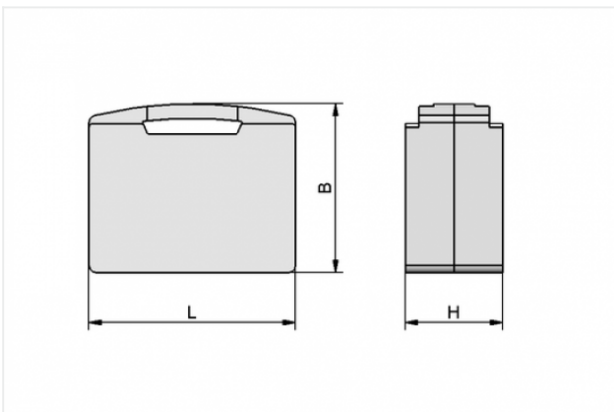
Homepage > Vacuum Technology for Automation > Vacuum Components > Didactic > Teaching and Learning Material > Vacuum training set > TRAIN-SET VT VAC-TRAIN EN

Training set



Business area: Vacuum Components
Content: Vacuum training set
Language: English

Design Data



Attribute	Value
B	470 mm
H	270 mm
L	575 mm

Technical Data

Attribute	Value
Weight	18.3 kg

Contact to Schmalz

J. Schmalz GmbH | Johannes-Schmalz-Straße, 72293 Glatten, Deutschland | +49 7443 2403-102 | customercenter@schmalz.de

