

# Vacuum gauge

## VAM 63 V H PSI

Part no.: 10.07.02.00003

<https://www.schmalz.com/10.07.02.00003>



Homepage > Vacuum Technology for Automation > Vacuum Components > Switches and System Monitoring > Measuring and Control Devices >

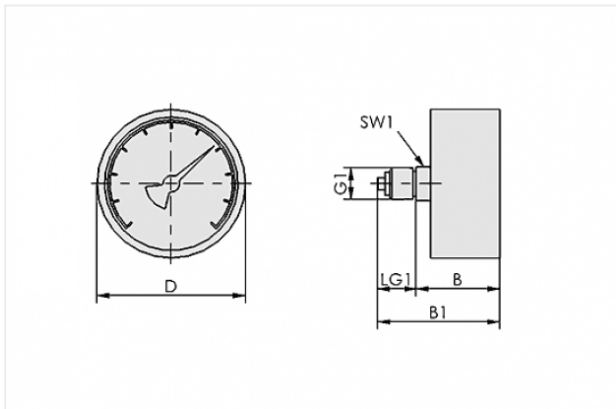
Manometers VAM > VAM 63 V H PSI

## Vacuum gauge (manometer) for analogue measurement and monitoring of the vacuum



External diameter D: 63 mm  
Measuring range: -1.00 ... 0.00 bar  
Shape: Connection at rear  
with: additional PSI-Scala  
Vacuum connection: G1/4-M

### Design Data



Attribute	Value
B	35 mm
B1	48 mm
D	63 mm
G1	G1/4"-M
LG1	13 mm
SW1	14 mm

### Technical Data

Attribute	Value
Shape	Connection at rear

### Contact to Schmalz

J. Schmalz GmbH | Johannes-Schmalz-Straße, 72293 Glatten, Deutschland | +49 7443 2403-102 | [customercenter@schmalz.de](mailto:customercenter@schmalz.de)

Attribute	Value
Operating pressure	-1...0 bar
Weight	130 g

## Accessories



### **DBV-M G1/4-AG MS**

Part no. 10.05.05.00057

Pressure-limiter valve for manometer

Thread 1: G1/4-M

Material: Brass