

Vacuum gauge

VAM 63 V250 H

Part no.: 10.07.02.00006

<https://www.schmalz.com/10.07.02.00006>



Homepage > Vacuum Technology for Automation > Vacuum Components > Switches and System Monitoring > Measuring and Control Devices >

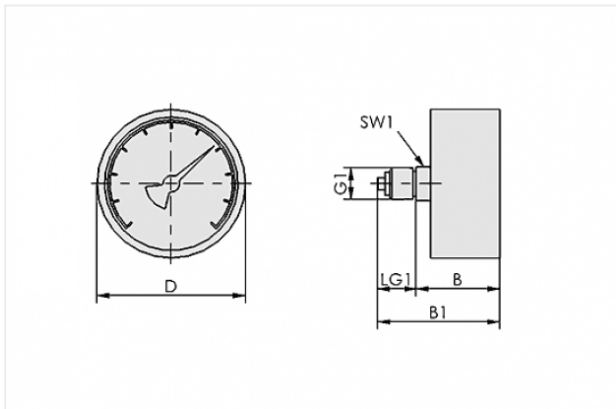
Manometers VAM > VAM 63 V250 H

Vacuum gauge (manometer) for analogue measurement and monitoring of the vacuum



External diameter D: 63 mm
Measuring range: -0.25 ... 0.00 bar
Shape: Connection at rear
Vacuum connection: G1/4-M

Design Data



Attribute	Value
-----------	-------

B	34 mm
---	-------

B1	46 mm
----	-------

D	63 mm
---	-------

G1	G1/4"-M
----	---------

LG1	12 mm
-----	-------

SW1	14 mm
-----	-------

Technical Data

Attribute	Value
-----------	-------

Shape	Connection at rear
-------	--------------------

Contact to Schmalz

J. Schmalz GmbH | Johannes-Schmalz-Straße, 72293 Glatten, Deutschland | +49 7443 2403-102 | customercenter@schmalz.de

Attribute	Value
Operating pressure	-0,25...0 bar
Weight	191 g

Accessories



DBV-M G1/4-AG MS

Part no. 10.05.05.00057

Pressure-limiter valve for manometer

Thread 1: G1/4-M

Material: Brass