

Vacuum regulator VR G3/8-IG HW

<https://www.schmalz.com/10.05.05.00026>



Part no.: 10.05.05.00026

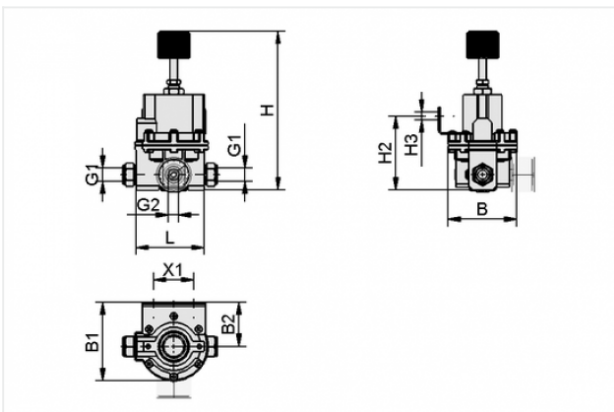
Homepage > Vacuum Technology for Automation > Vacuum Components > Switches and System Monitoring > Measuring and Control Devices > Vacuum Regulators VR > VR G3/8-IG HW

Vacuum regulator to compensate for vacuum variations



Thread G1: G3/8"-F
Vacuum range: -990 ... -14 mbar
Additional equipment:
Mounting bracket

Design Data



Attribute	Value
-----------	-------

B	76.4 mm
---	---------

B1	87.2 mm
----	---------

B2	49 mm
----	-------

G1	G3/8"-F
----	---------

G2	G1/4"-F
----	---------

H	176.8 mm
---	----------

H2	82.3 mm
----	---------

H3	9 mm
----	------

L	76 mm
---	-------

X1	45 mm
----	-------

Contact to Schmalz

J. Schmalz GmbH | Johannes-Schmalz-Straße, 72293 Glatten, Deutschland | +49 7443 2403-102 | customercenter@schmalz.de

Technical Data

Attribute	Value
Vacuum range	-990 ... -14 mbar
Repeatability	5 mbar
Flow rate (max)	270 l/min
Flow rate (max)	16.2 m ³ /h
Ambient temperature	5 ... 60 °C
Weight	0.65 kg

Accessories



RED-MUF-S G3/8-IG G1/4-IG MS

Part no. 10.08.04.00017

Reduction sleeve, with hexagon

Thread G1: G3/8-F

Thread G2: G1/4-F

Length L: 26 mm

Material: Brass