

Vacuum regulator

VR G1/4-IG HW

<https://www.schmalz.com/10.05.05.00075>



Part no.: 10.05.05.00075

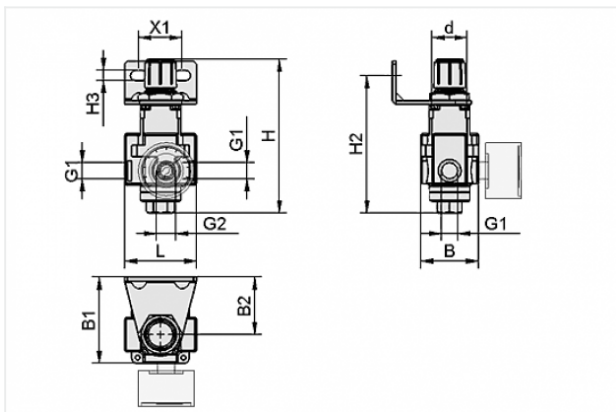
Homepage > Vacuum Technology for Automation > Vacuum Components > Switches and System Monitoring > Measuring and Control Devices > Vacuum Regulators VR > VR G1/4-IG HW

Vacuum regulator to compensate for vacuum variations



Thread G1: G1/4-F
Vacuum range: -950 ... -25 mbar
Additional equipment:
Mounting bracket

Design Data



Attribute	Value
-----------	-------

B	40 mm
---	-------

B1	60 mm
----	-------

B2	40 mm
----	-------

d	24 mm
---	-------

G1	G1/4"-F
----	---------

G2	G1/4"-F
----	---------

H	109 mm
---	--------

H2	95.7 mm
----	---------

H3	7 mm
----	------

L	50 mm
---	-------

X1	30 mm
----	-------

Contact to Schmalz

J. Schmalz GmbH | Johannes-Schmalz-Straße, 72293 Glatten, Deutschland | +49 7443 2403-102 | customercenter@schmalz.de

Technical Data

Attribute	Value
Vacuum range	-950 ... -25 mbar
Repeatability	± 2% of full-scale value
Flow rate (max)	200 l/min
Flow rate (max)	12 m ³ /h
Ambient temperature	5 ... 60 °C
Weight	0.2 kg
