

# Foot-operated interrupter

## FU 7 3/2 R

Part no.: 10.05.09.00010

<https://www.schmalz.com/10.05.09.00010>



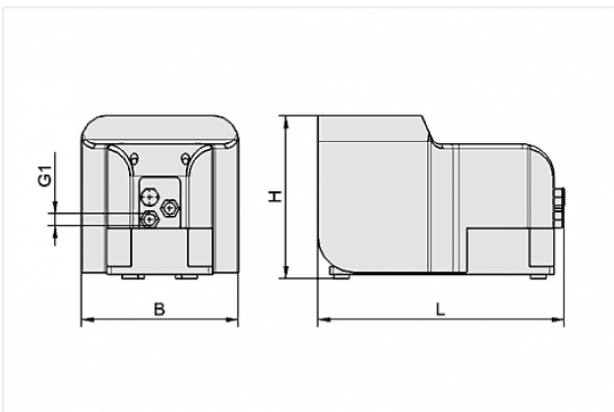
Homepage > Vacuum Technology for Automation > Vacuum Components > Valve Technology > Manually Actuated Valves > Foot-Operated Interrupter FU > FU 7 3/2 R

## Foot-operated valve for control of compressed air and vacuum



Nominal size: 7 mm  
Function: 3/2-way valve  
Thread G1: G1/4-F  
with: Detent

### Design Data



Attribute	Value
B	150 mm
G1	G1/4"-F
H	155 mm
L	240 mm

### Technical Data

Attribute	Value
Nominal size	7 mm
Nominal flow rate	6 m <sup>3</sup> /h

### Contact to Schmalz

J. Schmalz GmbH | Johannes-Schmalz-Straße, 72293 Glatten, Deutschland | +49 7443 2403-102 | [customercenter@schmalz.de](mailto:customercenter@schmalz.de)



Attribute	Value
Nominal flow rate	100 l/min
Weight	1.73 kg

---

---