

Manuel slide valve

HSV 8 3/2

Part no.: 10.05.07.00035

<https://www.schmalz.com/10.05.07.00035>



Homepage > Vacuum Technology for Automation > Vacuum Components > Valve Technology > Manually Actuated Valves > Manual Slide Valves

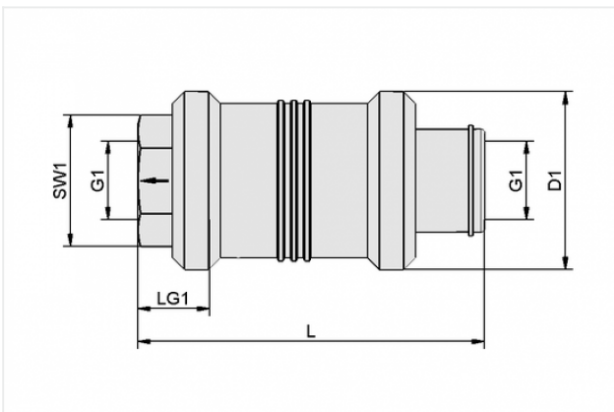
HSV > HSV 8 3/2

Manual slide valve for manual switching of vacuum and compressed air



Nominal size: 8 mm
Function: 3/2-way valve
Thread 1: G3/8-F
Pressure range: -0.95 ... 10.00

Design Data



Attribute	Value
-----------	-------

D1	35 mm
G1	G3/8"-F
L	70.7 mm
LG1	15 mm
SW1	22 mm

Technical Data

Attribute	Value
Nominal size	8 mm
Nominal flow rate	10 m ³ /h

Contact to Schmalz

J. Schmalz GmbH | Johannes-Schmalz-Straße, 72293 Glatten, Deutschland | +49 7443 2403-102 | customercenter@schmalz.de



Attribute	Value
Nominal flow rate	166.7 l/min
Weight	0.156 kg
