

Manuel slide valve

HSV 7 3/2

<https://www.schmalz.com/10.05.07.00034>



Part no.: 10.05.07.00034

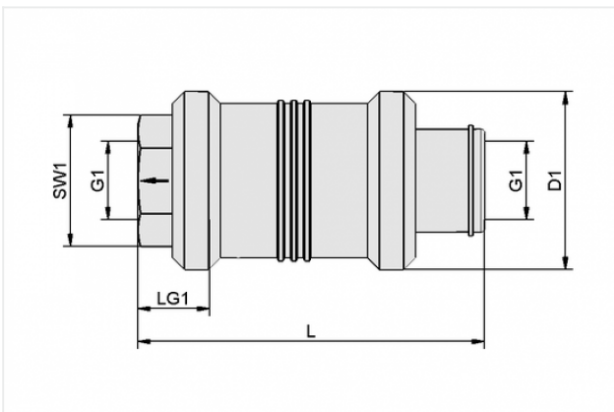
Homepage > Vacuum Technology for Automation > Vacuum Components > Valve Technology > Manually Actuated Valves > Manual Slide Valves
HSV > HSV 7 3/2

Manual slide valve for manual switching of vacuum and compressed air



Nominal size: 7 mm
Function: 3/2-way valve
Thread 1: G1/4-F
Pressure range: -0.95 ... 10.00

Design Data



Attribute	Value
D1	30 mm
G1	G1/4"-F
L	58 mm
LG1	12 mm
SW1	19 mm

Technical Data

Attribute	Value
Nominal size	7 mm
Nominal flow rate	6 m ³ /h

Contact to Schmalz

J. Schmalz GmbH | Johannes-Schmalz-Straße, 72293 Glatten, Deutschland | +49 7443 2403-102 | customercenter@schmalz.de



Attribute	Value
Nominal flow rate	100 l/min
Weight	0.097 kg
