

Ball valve

KVD 25 3/2

<https://www.schmalz.com/10.05.08.00005>



Part no.: 10.05.08.00005

Homepage > Vacuum Technology for Automation > Vacuum Components > Valve Technology > Manually Actuated Valves > Three-Way Ball

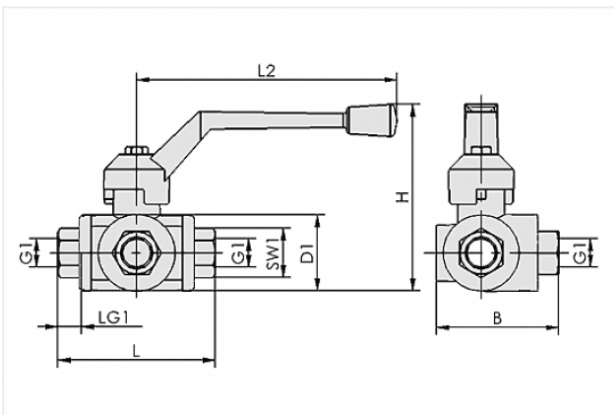
Valves KVD > KVD 25 3/2

Three-way ball valve for manual switching of vacuum and compressed air



Nominal size: 25 mm
Function: 3/2-way valve
Thread 1: G1-F

Design Data



Attribute	Value
-----------	-------

B	80 mm
---	-------

D1	55 mm
----	-------

G1	G1"-F
----	-------

H	124 mm
---	--------

L	104 mm
---	--------

L2	170 mm
----	--------

LG1	25 mm
-----	-------

SW1	41 mm
-----	-------

Technical Data

Contact to Schmalz

J. Schmalz GmbH | Johannes-Schmalz-Straße, 72293 Glatten, Deutschland | +49 7443 2403-102 | customercenter@schmalz.de



Attribute	Value
Nominal size	25 mm
Nominal flow rate	55 m ³ /h
Nominal flow rate	916.7 l/min
Weight	1.93 kg
