

Ball valve

KVD 20 3/2

<https://www.schmalz.com/10.05.08.00004>



Part no.: 10.05.08.00004

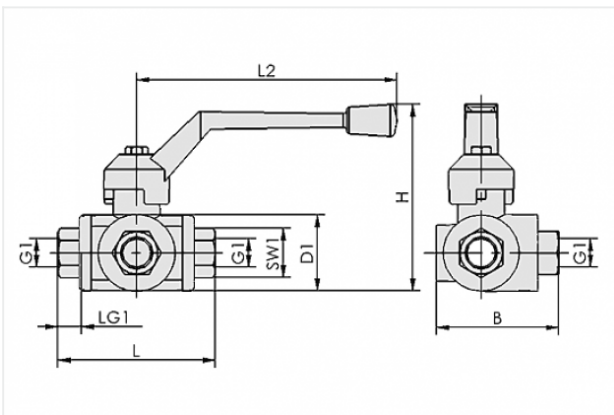
Homepage > Vacuum Technology for Automation > Vacuum Components > Valve Technology > Manually Actuated Valves > Three-Way Ball Valves KVD > KVD 20 3/2

Three-way ball valve for manual switching of vacuum and compressed air



Nominal size: 20 mm
Function: 3/2-way valve
Thread 1: G3/4-F

Design Data



Attribute	Value
-----------	-------

B	70 mm
---	-------

D1	47 mm
----	-------

G1	G3/4"-F
----	---------

H	107 mm
---	--------

L	92 mm
---	-------

L2	145 mm
----	--------

LG1	23 mm
-----	-------

SW1	34 mm
-----	-------

Technical Data

Contact to Schmalz

J. Schmalz GmbH | Johannes-Schmalz-Straße, 72293 Glatten, Deutschland | +49 7443 2403-102 | customercenter@schmalz.de



Attribute	Value
Nominal size	20 mm
Nominal flow rate	45 m ³ /h
Nominal flow rate	750 l/min
Weight	1.26 kg
