

Ball valve

KVD 15 3/2

<https://www.schmalz.com/10.05.08.00003>



Part no.: 10.05.08.00003

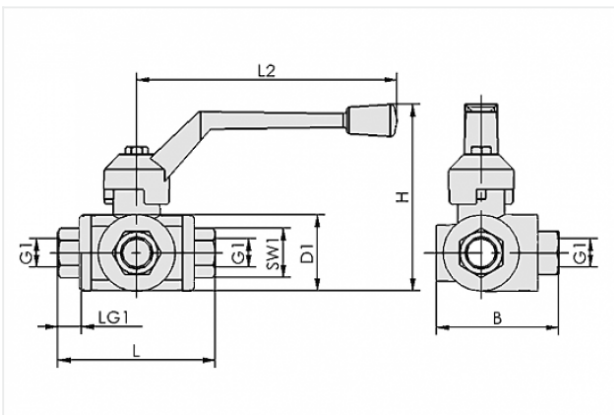
Homepage > Vacuum Technology for Automation > Vacuum Components > Valve Technology > Manually Actuated Valves > Three-Way Ball Valves KVD > KVD 15 3/2

Three-way ball valve for manual switching of vacuum and compressed air



Nominal size: 15 mm
Function: 3/2-way valve
Thread 1: G1/2-F

Design Data



Attribute	Value
-----------	-------

B	58 mm
D1	39 mm
G1	G1/2"-F
H	85 mm
L	77 mm
L2	125 mm
LG1	19 mm
SW1	29 mm

Technical Data

Contact to Schmalz

J. Schmalz GmbH | Johannes-Schmalz-Straße, 72293 Glatten, Deutschland | +49 7443 2403-102 | customercenter@schmalz.de



Attribute	Value
Nominal size	15 mm
Nominal flow rate	22 m ³ /h
Nominal flow rate	366.7 l/min
Weight	0.81 kg
