

# Ball valve

## KVD 10 3/2

<https://www.schmalz.com/10.05.08.00002>



Part no.: 10.05.08.00002

Homepage > Vacuum Technology for Automation > Vacuum Components > Valve Technology > Manually Actuated Valves > Three-Way Ball

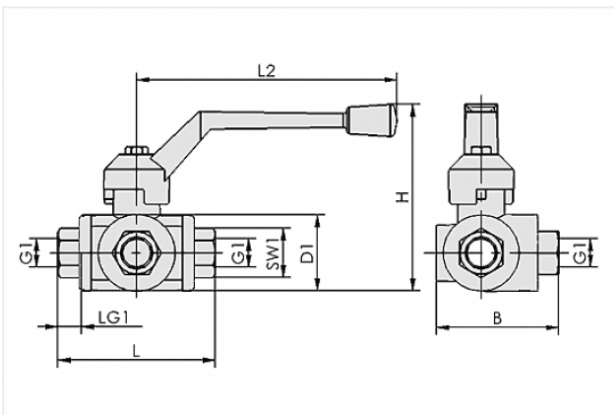
Valves KVD > KVD 10 3/2

### Three-way ball valve for manual switching of vacuum and compressed air



Nominal size: 10 mm  
Function: 3/2-way valve  
Thread 1: G3/8-F

#### Design Data



Attribute	Value
-----------	-------

B	58 mm
D1	39 mm
G1	G3/8"-F
H	85 mm
L	77 mm
L2	125 mm
LG1	19 mm
SW1	22 mm

#### Technical Data

#### Contact to Schmalz

J. Schmalz GmbH | Johannes-Schmalz-Straße, 72293 Glatten, Deutschland | +49 7443 2403-102 | [customercenter@schmalz.de](mailto:customercenter@schmalz.de)



<b>Attribute</b>	<b>Value</b>
Nominal size	10 mm
Nominal flow rate	15 m <sup>3</sup> /h
Nominal flow rate	250 l/min
Weight	0.81 kg

---

---