

# Ball valve

## KVD 6 3/2

Part no.: 10.05.08.00001

<https://www.schmalz.com/10.05.08.00001>



Homepage > Vacuum Technology for Automation > Vacuum Components > Valve Technology > Manually Actuated Valves > Three-Way Ball

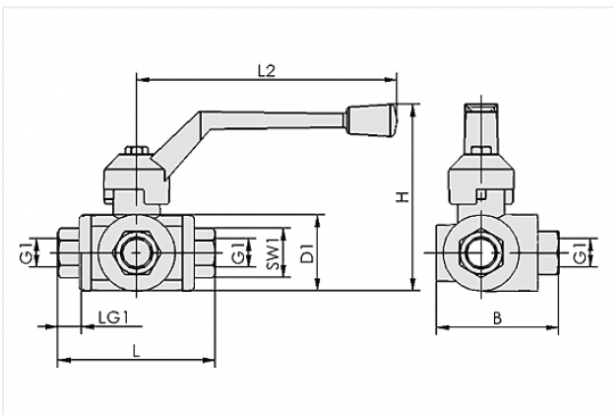
Valves KVD > KVD 6 3/2

### Three-way ball valve for manual switching of vacuum and compressed air



Nominal size: 6 mm  
Function: 3/2-way valve  
Thread 1: G1/4-F

#### Design Data



Attribute	Value
B	58 mm
D1	39 mm
G1	G1/4"-F
H	85 mm
L	77 mm
L2	125 mm
LG1	19 mm
SW1	22 mm

#### Technical Data

#### Contact to Schmalz

J. Schmalz GmbH | Johannes-Schmalz-Straße, 72293 Glatten, Deutschland | +49 7443 2403-102 | [customercenter@schmalz.de](mailto:customercenter@schmalz.de)



<b>Attribute</b>	<b>Value</b>
Nominal size	6 mm
Nominal flow rate	5 m <sup>3</sup> /h
Nominal flow rate	83.3 l/min
Weight	0.081 kg

---

---