

Ball valve

KVZ 50 2/2

Part no.: 10.05.08.00009

<https://www.schmalz.com/10.05.08.00009>



Homepage > Vacuum Technology for Automation > Vacuum Components > Valve Technology > Manually Actuated Valves > Two-Way Ball Valves

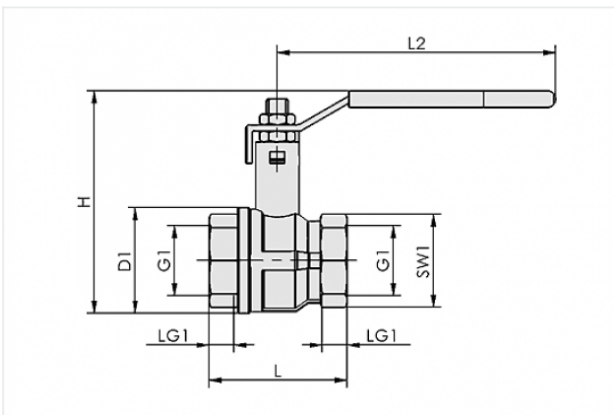
KVZ > KVZ 50 2/2

Two-way ball valve for manual switching of vacuum and compressed air



Nominal size: 50 mm
Function: 2/2-way valve
Thread 1: G2-F

Design Data



Attribute	Value
D1	86 mm
G1	G2"-F
H	151 mm
L	106 mm
L2	155 mm
LG1	19.5 mm
SW1	66 mm

Technical Data

Attribute	Value
Nominal size	50 mm

Contact to Schmalz

J. Schmalz GmbH | Johannes-Schmalz-Straße, 72293 Glatten, Deutschland | +49 7443 2403-102 | customercenter@schmalz.de



Attribute	Value
Nominal flow rate	310 m ³ /h
Nominal flow rate	5,166.7 l/min
Weight	1.47 kg
