

Ball valve

KVZ 32 2/2

Part no.: 10.05.08.00008

<https://www.schmalz.com/10.05.08.00008>



Homepage > Vacuum Technology for Automation > Vacuum Components > Valve Technology > Manually Actuated Valves > Two-Way Ball Valves

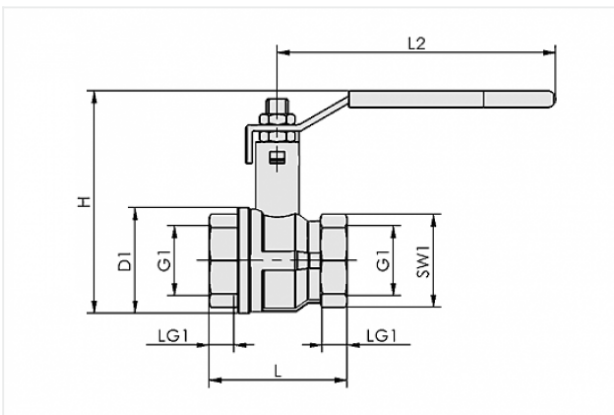
KVZ > KVZ 32 2/2

Two-way ball valve for manual switching of vacuum and compressed air



Nominal size: 32 mm
Function: 2/2-way valve
Thread 1: G1-1/4-F

Design Data



Attribute	Value
-----------	-------

D1	59 mm
G1	G1-1/4"-F
H	124.2 mm
L	77 mm
L2	155 mm
LG1	15.5 mm
SW1	48 mm

Technical Data

Attribute	Value
Nominal size	32 mm

Contact to Schmalz

J. Schmalz GmbH | Johannes-Schmalz-Straße, 72293 Glatten, Deutschland | +49 7443 2403-102 | customercenter@schmalz.de



Attribute	Value
Nominal flow rate	100 m ³ /h
Nominal flow rate	1,666.7 l/min
Weight	0.7 kg
