

Ball valve

KVZ 20 2/2

Part no.: 10.05.08.00007

<https://www.schmalz.com/10.05.08.00007>



Homepage > Vacuum Technology for Automation > Vacuum Components > Valve Technology > Manually Actuated Valves > Two-Way Ball Valves

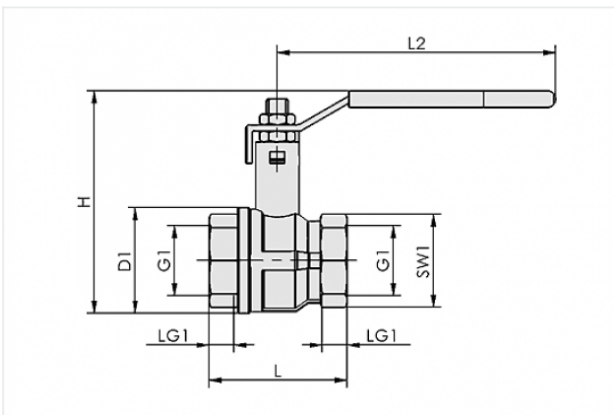
KVZ > KVZ 20 2/2

Two-way ball valve for manual switching of vacuum and compressed air



Nominal size: 20 mm
Function: 2/2-way valve
Thread 1: G3/4-F

Design Data



Attribute	Value
D1	39 mm
G1	G3/4"-F
H	69.3 mm
L	54 mm
L2	120 mm
LG1	12 mm
SW1	31 mm

Technical Data

Attribute	Value
Nominal size	20 mm

Contact to Schmalz

J. Schmalz GmbH | Johannes-Schmalz-Straße, 72293 Glatten, Deutschland | +49 7443 2403-102 | customercenter@schmalz.de



Attribute	Value
Nominal flow rate	45 m ³ /h
Nominal flow rate	750 l/min
Weight	0.28 kg
