

Non-return valve

RSV 54 G2-IG

Part no.: 10.05.05.00008

<https://www.schmalz.com/10.05.05.00008>



Homepage > Vacuum Technology for Automation > Vacuum Components > Valve Technology > Non-Return Valves > Non-Return Valves RSV >

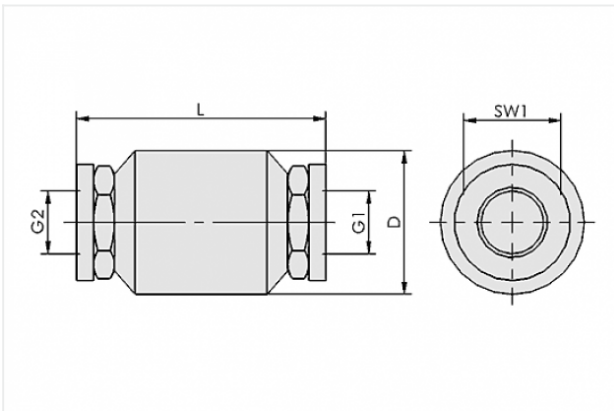
RSV 54 G2-IG

No-return valve for maintaining the system vacuum in the case of a power failure



Nominal size: 54 mm
Thread G1: G2-F
Nominal flow rate: 350 m³/h
Ambient temperature: -20 ... 100

Design Data



Attribute	Value
-----------	-------

D	87 mm
---	-------

G1	G2"-F
----	-------

G2	G2"-F
----	-------

L	100 mm
---	--------

SW1	70 mm
-----	-------

Technical Data

Attribute	Value
-----------	-------

Nominal size	54 mm
--------------	-------

Nominal flow rate	350 m ³ /h
-------------------	-----------------------

Contact to Schmalz

J. Schmalz GmbH | Johannes-Schmalz-Straße, 72293 Glatten, Deutschland | +49 7443 2403-102 | customercenter@schmalz.de



Attribute	Value
Nominal flow rate	5,833.3 l/min
Weight	1.1 kg
