

# Non-return valve

## RSV 42 G1-1/2-IG

Part no.: 10.05.05.00007

<https://www.schmalz.com/10.05.05.00007>



Homepage > Vacuum Technology for Automation > Vacuum Components > Valve Technology > Non-Return Valves > Non-Return Valves RSV >

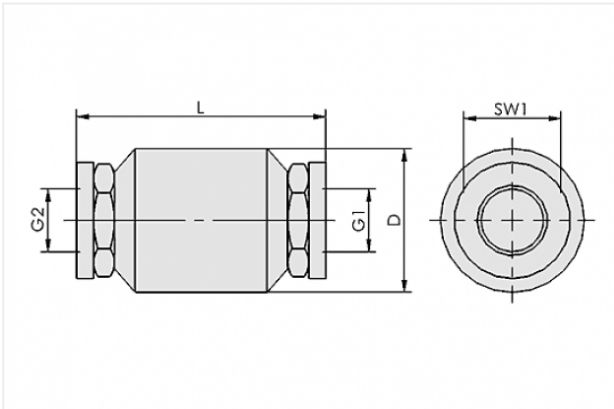
RSV 42 G1-1/2-IG

### No-return valve for maintaining the system vacuum in the case of a power failure



Nominal size: 42 mm  
Thread G1: G1-1/2-F  
Nominal flow rate: 200 m<sup>3</sup>/h  
Ambient temperature: -20 ... 100

#### Design Data



Attribute	Value
D	71 mm
G1	G1-1/2"-F
G2	G1-1/2"-F
L	96 mm
SW1	50 mm

#### Technical Data

Attribute	Value
Nominal size	42 mm
Nominal flow rate	200 m <sup>3</sup> /h

#### Contact to Schmalz

J. Schmalz GmbH | Johannes-Schmalz-Straße, 72293 Glatten, Deutschland | +49 7443 2403-102 | [customercenter@schmalz.de](mailto:customercenter@schmalz.de)



Attribute	Value
Nominal flow rate	3,333.3 l/min
Weight	0.98 kg

---

---