

Non-return valve

RSV 36 G1-1/4-IG

Part no.: 10.05.05.00006

<https://www.schmalz.com/10.05.05.00006>



Homepage > Vacuum Technology for Automation > Vacuum Components > Valve Technology > Non-Return Valves > Non-Return Valves RSV >

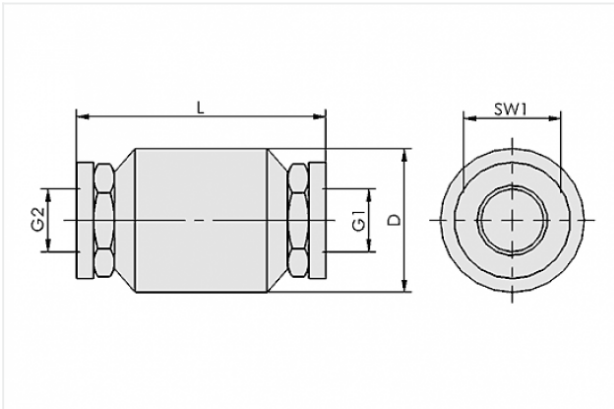
RSV 36 G1-1/4-IG

No-return valve for maintaining the system vacuum in the case of a power failure



Nominal size: 36 mm
Thread G1: G1-1/4-F
Nominal flow rate: 125 m³/h
Ambient temperature: -20 ... 100

Design Data



| Attribute | Value |
|-----------|-----------|
| D | 63 mm |
| G1 | G1-1/4"-F |
| G2 | G1-1/4"-F |
| L | 88 mm |
| SW1 | 50 mm |

Technical Data

| Attribute | Value |
|-------------------|-----------------------|
| Nominal size | 36 mm |
| Nominal flow rate | 125 m ³ /h |

Contact to Schmalz

J. Schmalz GmbH | Johannes-Schmalz-Straße, 72293 Glatten, Deutschland | +49 7443 2403-102 | customercenter@schmalz.de



| Attribute | Value |
|-------------------|---------------|
| Nominal flow rate | 2,083.3 l/min |
| Weight | 0.74 kg |
