

# Non-return valve

## RSV 28 G1-IG

Part no.: 10.05.05.00005

<https://www.schmalz.com/10.05.05.00005>



Homepage > Vacuum Technology for Automation > Vacuum Components > Valve Technology > Non-Return Valves > Non-Return Valves RSV >

RSV 28 G1-IG

### No-return valve for maintaining the system vacuum in the case of a power failure



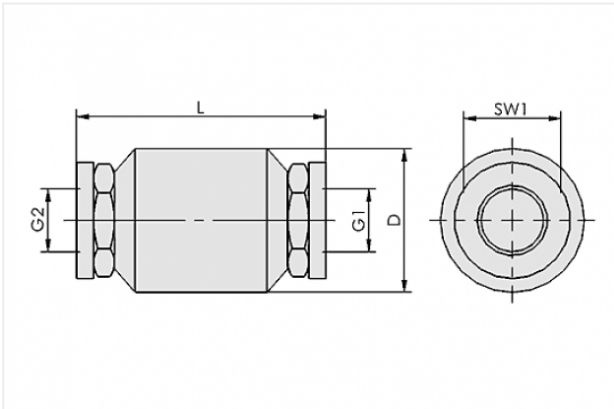
Nominal size: 28 mm

Thread G1: G1-F

Nominal flow rate: 75 m<sup>3</sup>/h

Ambient temperature: -20 ... 100

#### Design Data



Attribute	Value
-----------	-------

D	52 mm
---	-------

G1	G1"-F
----	-------

G2	G1"-F
----	-------

L	84 mm
---	-------

SW1	40 mm
-----	-------

#### Technical Data

Attribute	Value
Nominal size	28 mm
Nominal flow rate	75 m <sup>3</sup> /h

#### Contact to Schmalz

J. Schmalz GmbH | Johannes-Schmalz-Straße, 72293 Glatten, Deutschland | +49 7443 2403-102 | [customercenter@schmalz.de](mailto:customercenter@schmalz.de)



Attribute	Value
Nominal flow rate	1250 l/min
Weight	0.49 kg

---

---