

Non-return valve

RSV 20 G3/4-IG

Part no.: 10.05.05.00004

<https://www.schmalz.com/10.05.05.00004>



Homepage > Vacuum Technology for Automation > Vacuum Components > Valve Technology > Non-Return Valves > Non-Return Valves RSV >

RSV 20 G3/4-IG

No-return valve for maintaining the system vacuum in the case of a power failure



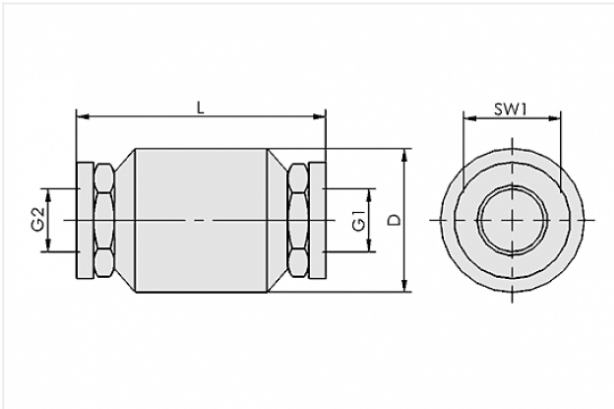
Nominal size: 20 mm

Thread G1: G3/4-F

Nominal flow rate: 45 m³/h

Ambient temperature: -20 ... 100 °C

Design Data



Attribute	Value
D	41 mm
G1	G3/4"-F
G2	G3/4"-F
L	69 mm
SW1	33 mm

Technical Data

Attribute	Value
Nominal size	20 mm
Nominal flow rate	45 m ³ /h

Contact to Schmalz

J. Schmalz GmbH | Johannes-Schmalz-Straße, 72293 Glatten, Deutschland | +49 7443 2403-102 | customercenter@schmalz.de



Attribute	Value
Nominal flow rate	750 l/min
Weight	0.27 kg
