

# Non-return valve

## RSV 18 G1/2-IG

Part no.: 10.05.05.00003

<https://www.schmalz.com/10.05.05.00003>



Homepage > Vacuum Technology for Automation > Vacuum Components > Valve Technology > Non-Return Valves > Non-Return Valves RSV >

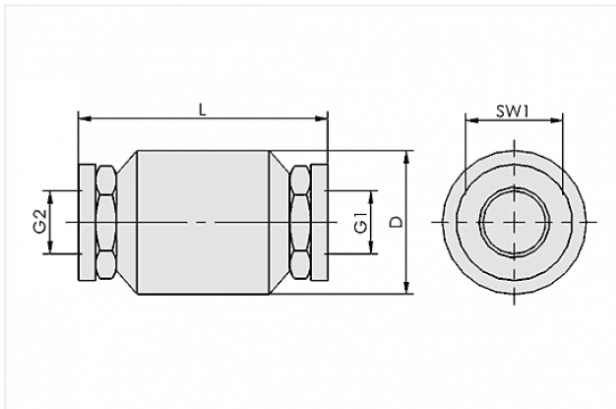
RSV 18 G1/2-IG

## No-return valve for maintaining the system vacuum in the case of a power failure



Nominal size: 18 mm  
Thread G1: G1/2-F  
Nominal flow rate: 26 m<sup>3</sup>/h  
Ambient temperature: -20 ... 100

### Design Data



Attribute	Value
D	34 mm
G1	G1/2"-F
G2	G1/2"-F
L	62 mm
SW1	27 mm

### Technical Data

Attribute	Value
Nominal size	18 mm
Nominal flow rate	26 m <sup>3</sup> /h

### Contact to Schmalz

J. Schmalz GmbH | Johannes-Schmalz-Straße, 72293 Glatten, Deutschland | +49 7443 2403-102 | [customercenter@schmalz.de](mailto:customercenter@schmalz.de)



Attribute	Value
Nominal flow rate	433.3 l/min
Weight	0.19 kg

---

---