

Non-return valve

RSV 14 G3/8-IG

Part no.: 10.05.05.00002

<https://www.schmalz.com/10.05.05.00002>



Homepage > Vacuum Technology for Automation > Vacuum Components > Valve Technology > Non-Return Valves > Non-Return Valves RSV >

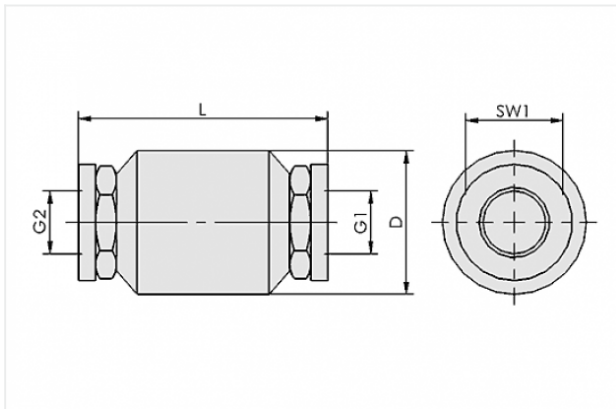
RSV 14 G3/8-IG

No-return valve for maintaining the system vacuum in the case of a power failure



Nominal size: 14 mm
Thread G1: G3/8-F
Nominal flow rate: 19.998 m³/h
Ambient temperature: -20 ... 100 °C

Design Data



Attribute	Value
D	34 mm
G1	G3/8"-F
G2	G3/8"-F
L	59 mm
SW1	23 mm

Technical Data

Attribute	Value
Nominal size	14 mm
Nominal flow rate	19.998 m ³ /h

Contact to Schmalz

J. Schmalz GmbH | Johannes-Schmalz-Straße, 72293 Glatten, Deutschland | +49 7443 2403-102 | customercenter@schmalz.de



Attribute	Value
Nominal flow rate	333.3 l/min
Weight	0.18 kg
