

# Non-return valve

## RSV 6 G1/4-IG

Part no.: 10.05.05.00001

<https://www.schmalz.com/10.05.05.00001>



Homepage > Vacuum Technology for Automation > Vacuum Components > Valve Technology > Non-Return Valves > Non-Return Valves RSV >

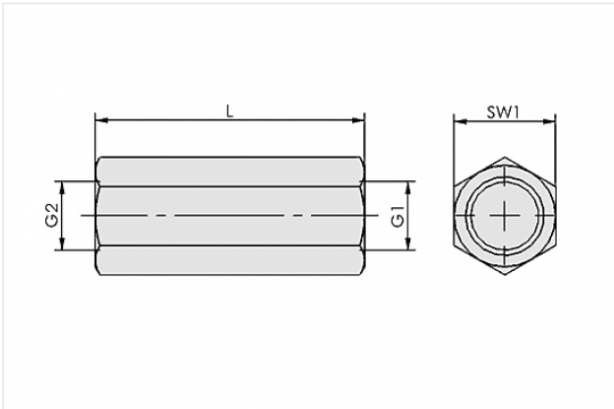
RSV 6 G1/4-IG

## No-return valve for maintaining the system vacuum in the case of a power failure



Nominal size: 6 mm  
Thread G1: G1/4-F  
Nominal flow rate: 4.998 m<sup>3</sup>/h  
Ambient temperature: -20 ... 100 °C

### Design Data



Attribute	Value
G1	G1/4"-F
G2	G1/4"-F
L	45 mm
SW1	17 mm

### Technical Data

Attribute	Value
Nominal size	6 mm
Nominal flow rate	4.998 m <sup>3</sup> /h

### Contact to Schmalz

J. Schmalz GmbH | Johannes-Schmalz-Straße, 72293 Glatten, Deutschland | +49 7443 2403-102 | [customercenter@schmalz.de](mailto:customercenter@schmalz.de)



Attribute	Value
Nominal flow rate	83.3 l/min
Weight	0.024 kg

---

---