

Flow resistance

SW 120 G1/4-AG

Part no.: 10.05.04.00018

<https://www.schmalz.com/10.05.04.00018>



Homepage > Vacuum Technology for Automation > Vacuum Components > Valve Technology > Check Valves and Flow Restrictors > Flow

Restrictors SW > SW 120 G1/4-AG

Flow resistor for reduction of the volume flow rate



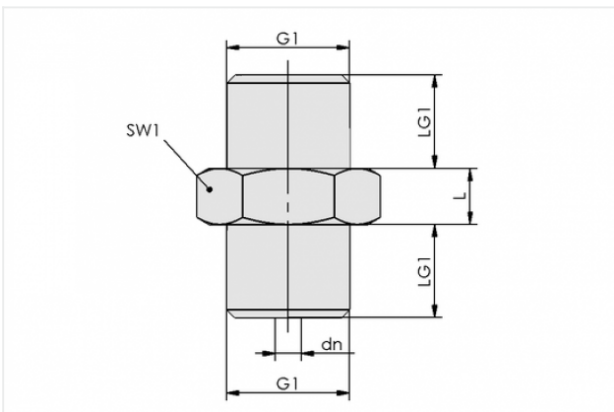
Nominal size: 1.20 mm

Length L: 6 mm

Thread G1: G1/4-M

Material: Aluminium

Design Data



Attribute	Value
G1	G1/4"-M
dn	1.2 mm
L	6 mm
LG1	10 mm
SW1	17 mm

Technical Data

Attribute	Value
Nominal size	1.20 mm
Evacuation rate for $p_u = -0,3$ bar	0.74 m ³ /h

Contact to Schmalz

J. Schmalz GmbH | Johannes-Schmalz-Straße, 72293 Glatten, Deutschland | +49 7443 2403-102 | customercenter@schmalz.de



Attribute	Value
Evacuation rate for pu = -0,3 bar	12.3 l/min
Evacuation rate for pu = -0,6 bar	0.76 m ³ /h
Evacuation rate for pu = -0,6 bar	12.7 l/min
Weight	9.4 g
