

Flow resistance

SW 90 G1/4-AG

Part no.: 10.05.04.00015

<https://www.schmalz.com/10.05.04.00015>



Homepage > Vacuum Technology for Automation > Vacuum Components > Valve Technology > Check Valves and Flow Restrictors > Flow Restrictors SW > SW 90 G1/4-AG

Flow resistor for reduction of the volume flow rate



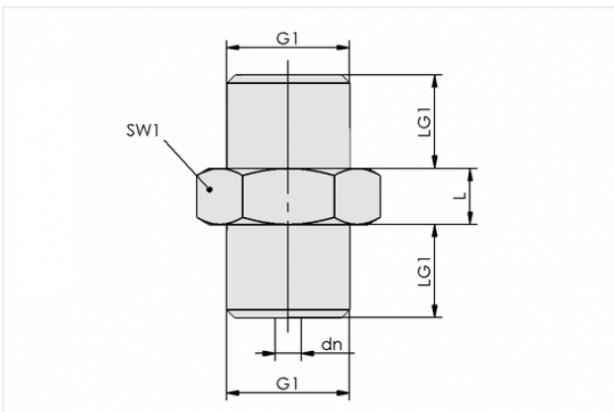
Nominal size: 0.90 mm

Length L: 6 mm

Thread G1: G1/4-M

Material: Aluminium

Design Data



Attribute	Value
-----------	-------

G1	G1/4"-M
----	---------

dn	0.9 mm
----	--------

L	6 mm
---	------

LG1	10 mm
-----	-------

SW1	17 mm
-----	-------

Technical Data

Attribute	Value
-----------	-------

Nominal size	0.90 mm
--------------	---------

Evacuation rate for $p_u = -0,3$ bar	0.39 m ³ /h
--------------------------------------	------------------------

Contact to Schmalz

J. Schmalz GmbH | Johannes-Schmalz-Straße, 72293 Glatten, Deutschland | +49 7443 2403-102 | customercenter@schmalz.de



Attribute	Value
Evacuation rate for pu = -0,3 bar	6.5 l/min
Evacuation rate for pu = -0,6 bar	0.42 m ³ /h
Evacuation rate for pu = -0,6 bar	7 l/min
Weight	9.5 g
