

# Flow resistance

<https://www.schmalz.com/10.05.04.00002>



## SW 50 G1/8-AG

Part no.: 10.05.04.00002

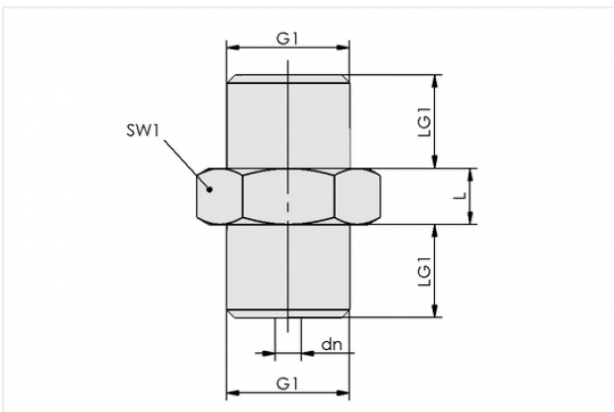
Homepage > Vacuum Technology for Automation > Vacuum Components > Valve Technology > Check Valves and Flow Restrictors > Flow Restrictors SW > SW 50 G1/8-AG

### Flow resistor for reduction of the volume flow rate



Nominal size: 0.50 mm  
Length L: 6 mm  
Thread G1: G1/8-M  
Material: Aluminium

### Design Data



Attribute	Value
G1	G1/8"-M
dn	0.5 mm
L	6 mm
LG1	9.5 mm
SW1	14 mm

### Technical Data

Attribute	Value
Nominal size	0.50 mm
Evacuation rate for $p_u = -0,3$ bar	0.13 m <sup>3</sup> /h

### Contact to Schmalz

J. Schmalz GmbH | Johannes-Schmalz-Straße, 72293 Glatten, Deutschland | +49 7443 2403-102 | [customercenter@schmalz.de](mailto:customercenter@schmalz.de)



<b>Attribute</b>	<b>Value</b>
Evacuation rate for pu = -0,3 bar	2.2 l/min
Evacuation rate for pu = -0,6 bar	0.15 m <sup>3</sup> /h
Evacuation rate for pu = -0,6 bar	2.5 l/min
Weight	5 g

---

---