

Check valve

<https://www.schmalz.com/10.05.03.00060>



SVN G1/4-AG M10x1.25-AG N009

Part no.: 10.05.03.00060

Homepage > Vacuum Technology for Automation > Vacuum Components > Valve Technology > Check Valves and Flow Restrictors > Check Valves

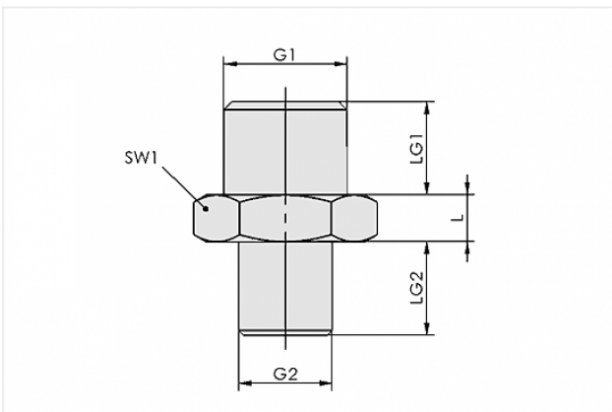
SVN > SVN G1/4-AG M10x1.25-AG N009

Connection nipple with integrated check valve



Thread 1: G1/4-M
Thread 2: M10x1.25-M
Spanner size: 17 mm
Nipple: N 009

Design Data



Attribute	Value
-----------	-------

G1	G1/4"-M
----	---------

G2	M10x1.25-M
----	------------

L	5 mm
---	------

LG1	10 mm
-----	-------

LG2	10 mm
-----	-------

SW1	17 mm
-----	-------

Technical Data

Attribute	Value
-----------	-------

Evacuation rate for $p_u = -0,3$ bar	2.3 m ³ /h
--------------------------------------	-----------------------

Evacuation rate for $p_u = -0,3$ bar	38.3 l/min
--------------------------------------	------------

Contact to Schmalz

J. Schmalz GmbH | Johannes-Schmalz-Straße, 72293 Glatten, Deutschland | +49 7443 2403-102 | customercenter@schmalz.de



Attribute	Value
Evacuation rate for pu = -0,6 bar	3.3 m ³ /h
Evacuation rate for pu = -0,6 bar	55 l/min
Flow rate (max)	27 m ³ /h
Flow rate (max)	450 l/min
Weight	10 g