

Check valve

SVN G1/4-AG N018

Part no.: 10.05.03.00054

<https://www.schmalz.com/10.05.03.00054>



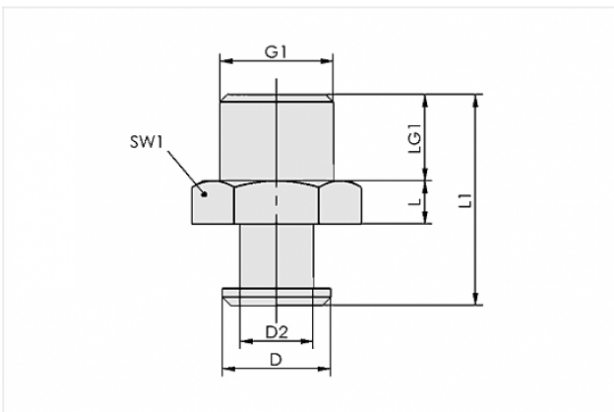
Homepage > Vacuum Technology for Automation > Vacuum Components > Valve Technology > Check Valves and Flow Restrictors > Check Valves
SVN > SVN G1/4-AG N018

Connection nipple with integrated check valve



Thread 1: G1/4-M
Spanner size: 17 mm
Nipple: N 018

Design Data



Attribute	Value
-----------	-------

D	14 mm
D2	9 mm
G1	G1/4"-M
L	5 mm
L1	29 mm
LG1	11 mm
SW1	17 mm

Technical Data

Attribute	Value
Evacuation rate for $p_u = -0,3$ bar	2.3 m ³ /h

Contact to Schmalz

J. Schmalz GmbH | Johannes-Schmalz-Straße, 72293 Glatten, Deutschland | +49 7443 2403-102 | customercenter@schmalz.de



Attribute	Value
Evacuation rate for pu = -0,3 bar	38.3 l/min
Evacuation rate for pu = -0,6 bar	3.3 m ³ /h
Evacuation rate for pu = -0,6 bar	55 l/min
Flow rate (max)	27 m ³ /h
Flow rate (max)	450 l/min
Weight	8 g
