

# Check valve

## SVN G1/4-AG N014

Part no.: 10.05.03.00070

<https://www.schmalz.com/10.05.03.00070>



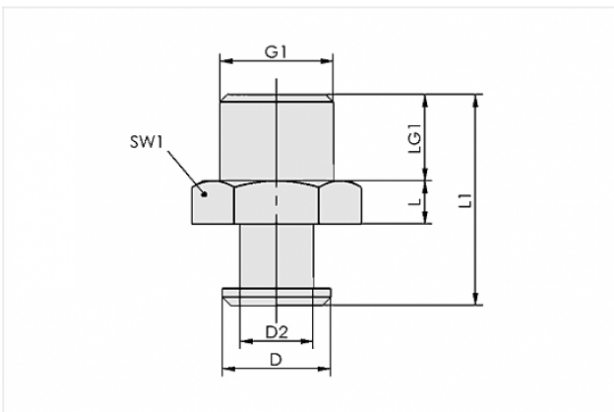
Homepage > Vacuum Technology for Automation > Vacuum Components > Valve Technology > Check Valves and Flow Restrictors > Check Valves  
SVN > SVN G1/4-AG N014

### Connection nipple with integrated check valve



Thread 1: G1/4-M  
Spanner size: 17 mm  
Nipple: N 014

### Design Data



Attribute	Value
-----------	-------

D	16.5 mm
D2	12.5 mm
G1	G1/4"-M
L	5 mm
L1	29.5 mm
LG1	10 mm
SW1	17 mm

### Technical Data

Attribute	Value
Evacuation rate for $p_u = -0,3$ bar	2.3 m <sup>3</sup> /h

### Contact to Schmalz

J. Schmalz GmbH | Johannes-Schmalz-Straße, 72293 Glatten, Deutschland | +49 7443 2403-102 | [customercenter@schmalz.de](mailto:customercenter@schmalz.de)



<b>Attribute</b>	<b>Value</b>
Evacuation rate for $p_u = -0,3$ bar	38.3 l/min
Evacuation rate for $p_u = -0,6$ bar	3.3 m <sup>3</sup> /h
Evacuation rate for $p_u = -0,6$ bar	55 l/min
Flow rate (max)	27 m <sup>3</sup> /h
Flow rate (max)	450 l/min
Weight	12 g

---

---