

# Check valve SVV G1/4-IG

Part no.: 10.05.03.00003

<https://www.schmalz.com/10.05.03.00003>



Homepage > Vacuum Technology for Automation > Vacuum Components > Valve Technology > Check Valves and Flow Restrictors > Check Valves  
SVK, SVKG, SVV > SVV G1/4-IG

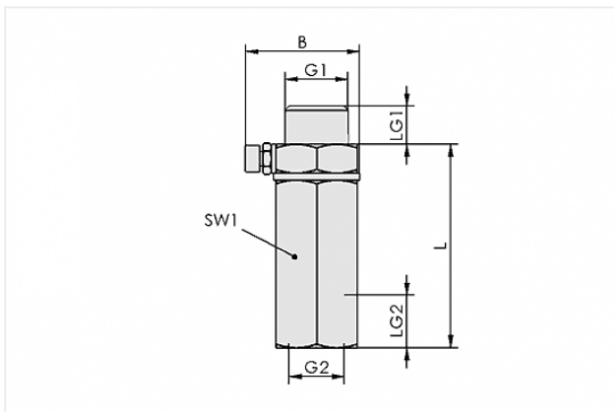
## Check valve, adjustable, for deactivation of unused suction cups



Thread G1: G1/4"-M

Thread G2: G1/4"-F

### Design Data



Attribute	Value
-----------	-------

B	23.9 mm
---	---------

G1	G1/4"-M
----	---------

G2	G1/4"-F
----	---------

L	42.5 mm
---	---------

LG1	8 mm
-----	------

LG2	11 mm
-----	-------

SW1	17 mm
-----	-------

### Technical Data

Attribute	Value
-----------	-------

Evacuation rate for $p_u = -0,3$ bar	1.36 m <sup>3</sup> /h
--------------------------------------	------------------------

### Contact to Schmalz

J. Schmalz GmbH | Johannes-Schmalz-Straße, 72293 Glatten, Deutschland | +49 7443 2403-102 | [customercenter@schmalz.de](mailto:customercenter@schmalz.de)



<b>Attribute</b>	<b>Value</b>
Evacuation rate for pu = -0,3 bar	22.6 l/min
Evacuation rate for pu = -0,6 bar	1.72 m <sup>3</sup> /h
Evacuation rate for pu = -0,6 bar	28.6 l/min
Flow rate (max)	24 m <sup>3</sup> /h
Flow rate (max)	400 l/min
Weight	24.7 g

---

---