

Check valve SVKG G1/4-AG

Part no.: 10.05.03.00131

<https://www.schmalz.com/10.05.03.00131>



Homepage > Vacuum Technology for Automation > Vacuum Components > Valve Technology > Check Valves and Flow Restrictors > Check Valves
SVK, SVKG, SVV > SVKG G1/4-AG

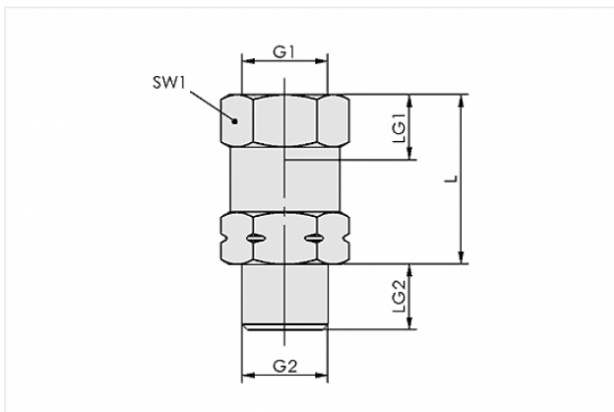
Check valve for deactivation of unused suction pads



Thread 1: G1/4-F

Thread 2: G1/4-M

Design Data



Attribute	Value
-----------	-------

G1	G1/4"-F
----	---------

G2	G1/4"-M
----	---------

L	26 mm
---	-------

LG1	11 mm
-----	-------

LG2	10 mm
-----	-------

SW1	17 mm
-----	-------

Technical Data

Attribute	Value
-----------	-------

Evacuation rate for $p_u = -0,3$ bar	0.17 m ³ /h
--------------------------------------	------------------------

Evacuation rate for $p_u = -0,3$ bar	2.9 l/min
--------------------------------------	-----------

Contact to Schmalz

J. Schmalz GmbH | Johannes-Schmalz-Straße, 72293 Glatten, Deutschland | +49 7443 2403-102 | customercenter@schmalz.de



Attribute	Value
Evacuation rate for $p_u = -0,6$ bar	0.204 m ³ /h
Evacuation rate for $p_u = -0,6$ bar	3.4 l/min
Flow rate (max)	20.4 m ³ /h
Flow rate (max)	340 l/min
Weight	17.5 g
