

# Solenoid valve

## EMVP 50 24V-DC 3/2 NO

<https://www.schmalz.com/10.05.02.00069>



Part no.: 10.05.02.00069

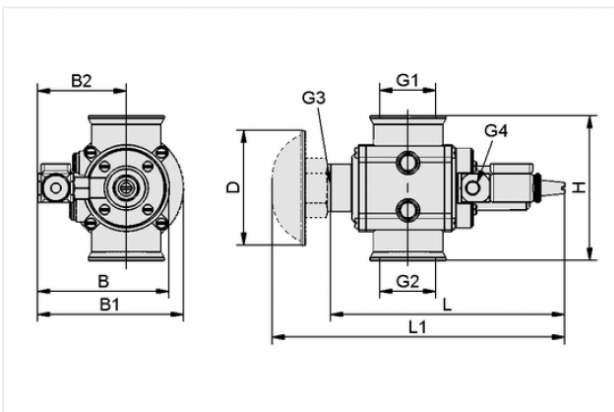
Homepage > Vacuum Technology for Automation > Vacuum Components > Valve Technology > Solenoid Valves > Solenoid Valves EMVP > EMVP 50 24V-DC 3/2 NO

## Solenoid valve EMVP for vacuum, pneumatic pilot control



Nominal size: 50 mm  
Voltage: 24V - DC  
Function: 3/2-way valve  
Control: Normally open  
Connecting thread: G2-F

### Design Data



Attribute	Value
-----------	-------

B	114 mm
B1	151 mm
B2	105.5 mm
D	80 mm
G1	G2"-F
G2	G2"-F
G3	G1-1/4"-F
G4	G1/8"-F
H	142 mm
L	225 mm
L1	260 mm

### Contact to Schmalz

J. Schmalz GmbH | Johannes-Schmalz-Straße, 72293 Glatten, Deutschland | +49 7443 2403-102 | [customercenter@schmalz.de](mailto:customercenter@schmalz.de)

## Technical Data

Attribute	Value
Nominal size	50 mm
Control	Normally open
Nominal flow rate	5,166.7 l/min
Nominal flow rate	310 m <sup>3</sup> /h
Power consumption (DC)	5 W
Voltage	24V - DC
Closing time	500 ms
Weight	1.36 kg

## Accessories



### **FAS 80x32 G1-1/4-AG EMVP-25+50**

Part no. 10.05.01.00064

Filter with mounting kit

External diameter D: 80 mm

Length L: 32 mm

Thread G1: G1-1/4-M

for: Solenoid valve

Size: 25+50