

Solenoid valve

EMVP 50 230V-AC 3/2 NO

<https://www.schmalz.com/10.05.02.00075>



Part no.: 10.05.02.00075

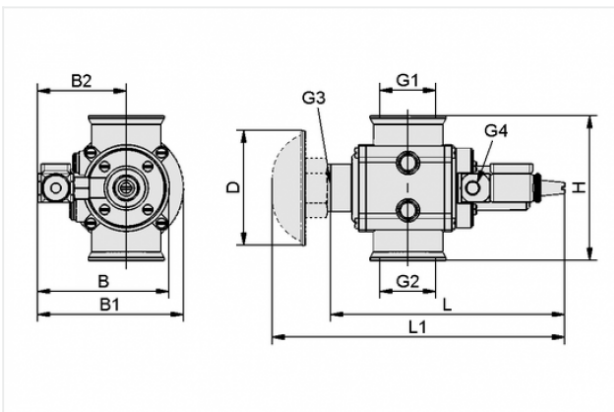
Homepage > Vacuum Technology for Automation > Vacuum Components > Valve Technology > Solenoid Valves > Solenoid Valves EMVP > EMVP 50 230V-AC 3/2 NO

Solenoid valve EMVP for vacuum, pneumatic pilot control



Nominal size: 50 mm
Voltage: 230V - AC
Function: 3/2-way valve
Control: Normally open
Connecting thread: G2-F

Design Data



Attribute	Value
-----------	-------

B	114 mm
---	--------

B1	151 mm
----	--------

B2	105.5 mm
----	----------

D	80 mm
---	-------

G1	G2"-F
----	-------

G2	G2"-F
----	-------

G3	G1-1/4"-F
----	-----------

G4	G1/8"-F
----	---------

H	142 mm
---	--------

L	225 mm
---	--------

L1	260 mm
----	--------

Contact to Schmalz

J. Schmalz GmbH | Johannes-Schmalz-Straße, 72293 Glatten, Deutschland | +49 7443 2403-102 | customercenter@schmalz.de

Technical Data

Attribute	Value
Nominal size	50 mm
Control	Normally open
Nominal flow rate	5,166.7 l/min
Nominal flow rate	310 m ³ /h
Power consumption (DC)	5 W
Voltage	230V - AC
Closing time	500 ms
Weight	1.36 kg

Accessories



FAS 80x32 G1-1/4-AG EMVP-25+50

Part no. 10.05.01.00064

Filter with mounting kit

External diameter D: 80 mm

Length L: 32 mm

Thread G1: G1-1/4-M

for: Solenoid valve

Size: 25+50