

Solenoid valve

EMVP 32 24V-DC 3/2 NO

<https://www.schmalz.com/10.05.02.00068>



Part no.: 10.05.02.00068

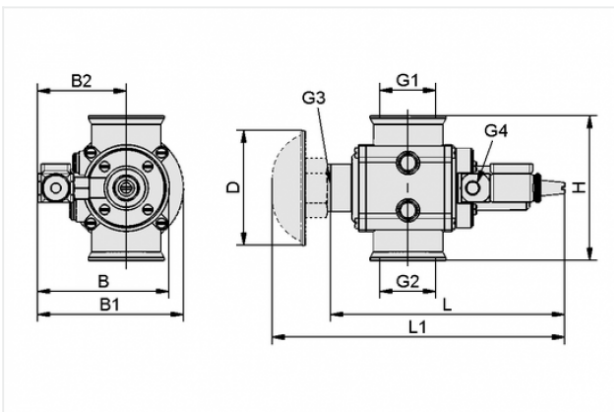
Homepage > Vacuum Technology for Automation > Vacuum Components > Valve Technology > Solenoid Valves > Solenoid Valves EMVP > EMVP 32 24V-DC 3/2 NO

Solenoid valve EMVP for vacuum, pneumatic pilot control



Nominal size: 32 mm
Voltage: 24V - DC
Function: 3/2-way valve
Control: Normally open
Connecting thread: G1-1/4-F

Design Data



Attribute	Value
-----------	-------

B	124.7 mm
B1	134.7 mm
B2	94.7 mm
D	80 mm
G1	G1-1/4"-F
G2	G1-1/4"-F
G3	G3/4"-F
G4	G1/8"-F
H	101 mm
L	160 mm
L1	200.5 mm

Contact to Schmalz

J. Schmalz GmbH | Johannes-Schmalz-Straße, 72293 Glatten, Deutschland | +49 7443 2403-102 | customercenter@schmalz.de

Technical Data

Attribute	Value
Nominal size	32 mm
Control	Normally open
Nominal flow rate	2,166.7 l/min
Nominal flow rate	130 m ³ /h
Power consumption (DC)	5 W
Voltage	24V - DC
Closing time	300 ms
Weight	0.5 kg

Accessories



FAS 80x39 G3/4-AG

Part no. 10.05.01.00062

Filter with mounting kit

External diameter D: 80 mm

Length L: 39 mm

Thread G1: G3/4-M



STEC 4 S-M12-4 St

Part no. 10.05.02.00157

Plug

Number of pole: 4

Interface Connection 1:

Male connect M12, 4 pol

Mounting: push-in