

Solenoid valve

EMVP 32 230V-AC 3/2 NO

<https://www.schmalz.com/10.05.02.00074>



Part no.: 10.05.02.00074

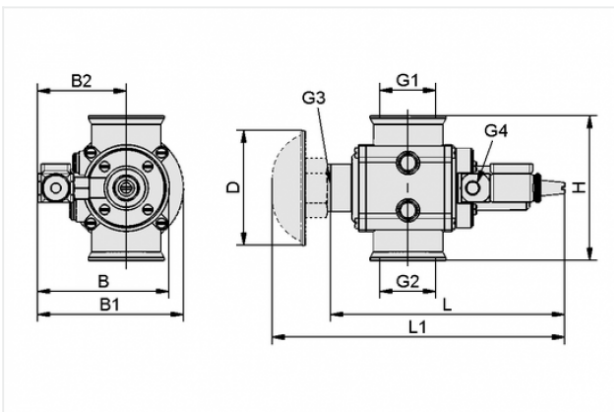
Homepage > Vacuum Technology for Automation > Vacuum Components > Valve Technology > Solenoid Valves > Solenoid Valves EMVP > EMVP 32 230V-AC 3/2 NO

Solenoid valve EMVP for vacuum, pneumatic pilot control



Nominal size: 32 mm
Voltage: 230V - AC
Function: 3/2-way valve
Control: Normally open
Connecting thread: G1-1/4-F

Design Data



Attribute	Value
-----------	-------

B	90.5 mm
---	---------

B1	101 mm
----	--------

B2	61.5 mm
----	---------

D	80 mm
---	-------

G1	G1-1/4"-F
----	-----------

G2	G1-1/4"-F
----	-----------

G3	G3/4"-F
----	---------

G4	G1/8"-F
----	---------

H	101 mm
---	--------

L	163 mm
---	--------

L1	203.5 mm
----	----------

Contact to Schmalz

J. Schmalz GmbH | Johannes-Schmalz-Straße, 72293 Glatten, Deutschland | +49 7443 2403-102 | customercenter@schmalz.de

Technical Data

Attribute	Value
Nominal size	32 mm
Control	Normally open
Nominal flow rate	2,166.7 l/min
Nominal flow rate	130 m ³ /h
Power consumption (DC)	5 W
Voltage	230V - AC
Closing time	300 ms
Weight	0.5 kg

Accessories



FAS 80x39 G3/4-AG

Part no. 10.05.01.00062

Filter with mounting kit

External diameter D: 80 mm

Length L: 39 mm

Thread G1: G3/4-M